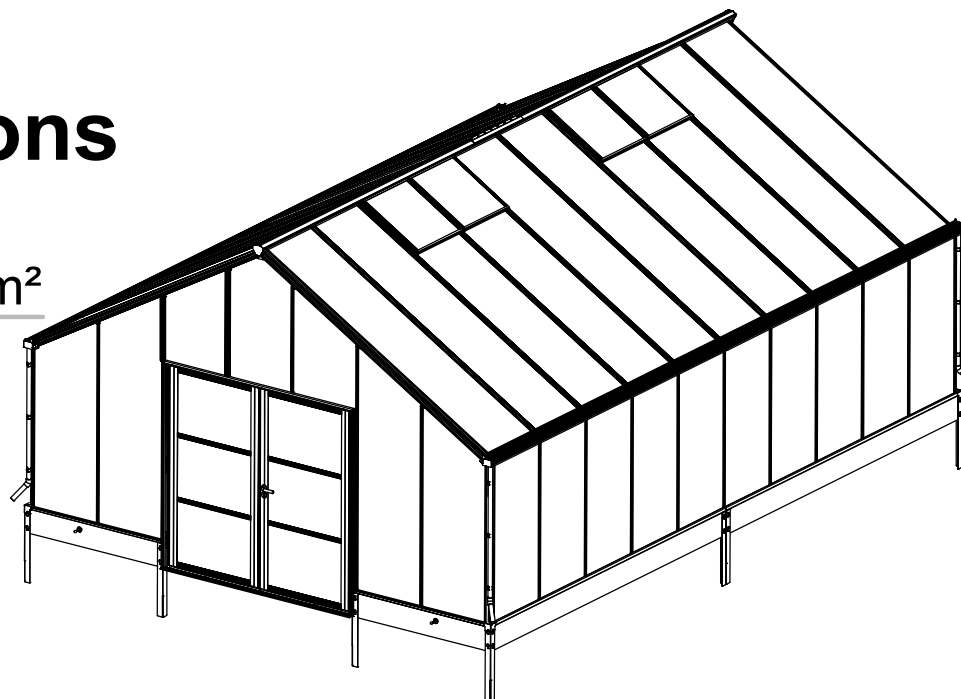


Greenhouse Assembly Instructions

24x17ft

Size: 720Lx508Wx330Hcm 36.6m²



ZA720

IMPORTANT

You must read these instructions carefully before you start to assemble this greenhouse. Please ensure that you find all parts in the carton box in the correct type and quantity as mentioned in the list illustrated in every page accordingly.

Please carry out the steps in the order set out in these instructions.

Do not tighten the steps in the greenhouse until completing on the assembly of the poly carbon ate panels.

Keep these instructions in a safe place for future reference.

SAFETY ADVICE

We strongly recommend the use of work gloves during assembly.
Do not attempt to assemble the greenhouse in windy or wet conditions,
Do not touch overhead power cables with the aluminum profiles.
Always wear shoes and safety goggles when working with extruded aluminum.
Dispose of all plastic bags safely-keep them out of reach of small children.
The greenhouse must be positioned and fixed on a flat level surface.
Do not lean against or push the greenhouse during construction.
Keep children away from the assemble area.
Do not position your greenhouse in an area exposed to excessive wind.
Do not attempt to assemble this greenhouse if you are tired ,have taken drugs or alcohol
or if you are prone to dizzy spells.
If using a step ladder or power tools ensure that you follow the manufactures safety advice.
Hot items such as recently used grills, blowtorches etc.must not be stores in the greenhouse.
Ensure there are no hidden pipes or cables in the ground before inserting the pegs.

GENERAL ADVICE

This is a multi-part assembly, Allow at least 500-800 minutes for assembly.
Selecting a site-choose a sunny level position away from overhanging trees.
If you are fixing your greenhouse directly to a solid concrete foundation use the pre drilled
holes in the metal base supplied.
The component parts should be checked and laid out close at hand.
Keep all small parts(screws etc)in a bowl so they do not get lost.
Note that the door is hinged on the right hand side and therefore opens tothe right.
Keep roof clear of snow and leaves.

CARE & MAINTENANCE

When your greenhouse needs cleaning, use a mild detergent solution and risen with cols
clean water.
Do NOT use acetone, abrasive cleaners or other special detergents to clean the clear panels.

TOOLS & EQUIPMENT REQUIRED

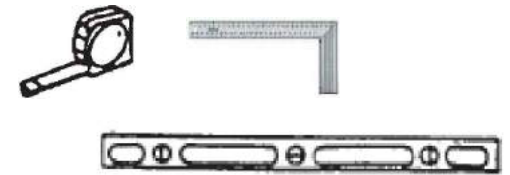
Protective Equipment:

- 1.Helmet
- 2.Glove
- 3.Long Sleeve Cotton Overalls
- 4.Emergency Medicine Cabinet
- 5.Eye Shield



Measure (metric):

- 1.The Tape (5 m)
- 2.Angle Square
- 3.Level Meter



Installation Tool:

1. Triangle Stairs≈1.5m Height x2
2. Spanner 10mm (Ratchet Wrench is better)
3. Electric screwdriver+10mm hex bolt sleeve(suggest)
4. Wooden Mallet
5. Marking Pen
6. Silicon
7. Knife
8. Phillips screwdriver



Silicon
Silicon

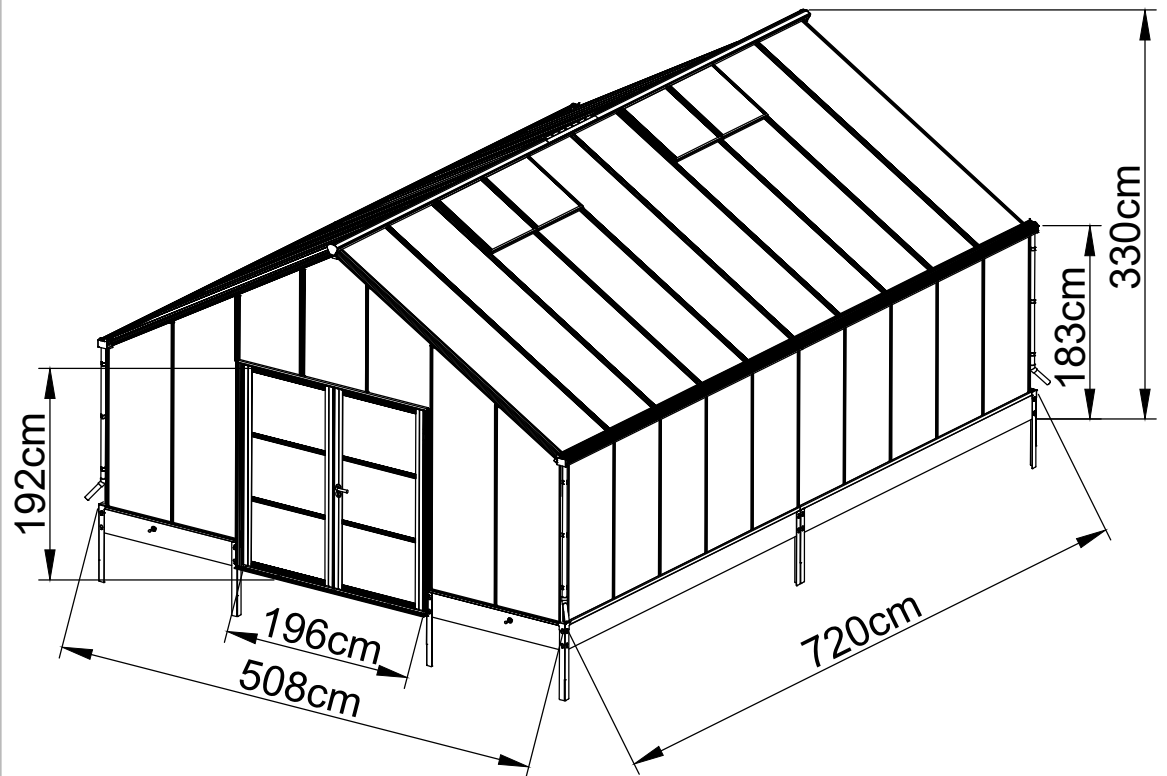
PRODUCT SIZE

Firstly, make sure a good installation location.

Find a flat ground which is 2 times bigger than the Green house before installation.

OTHER CAUTIONS

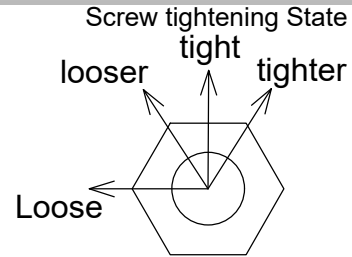
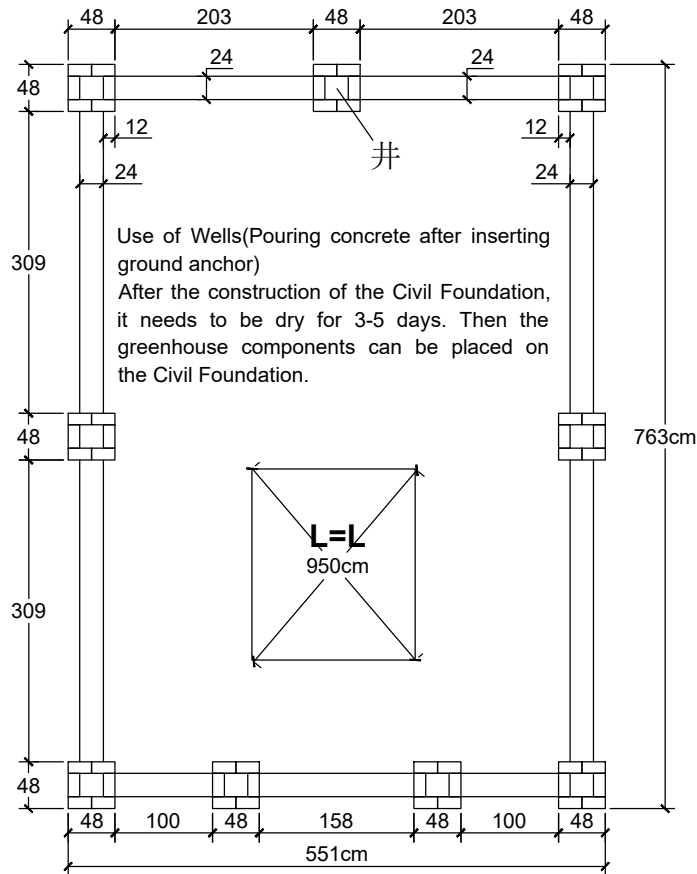
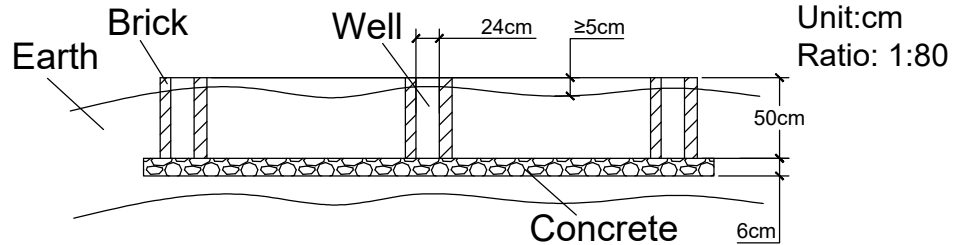
1. 3-4 people required, one is for measuring & taking marks to ensure the installation dimension ,the second person is responsible for the installation and the last one do as assistant and assure the safety.
2. High-power electric tools are required, ensure the normal work of them and highly pay\attention to electric safety.
3. Be careful when using the kind of blunt tools, like hammer.
4. Wearing long sleeve cotton overalls,gloves and helmet during installation and wea safety glasses when using power tools.
- 5.No up watching when working height, or the drop screws may hurt your eyes and suffocation causing accide ntally when fall into your mouth.
6. No climbing, No standing on the tent to avoid falling down.
7. If injuries immediately, using the first-aid kit to stop bleeding,bind up, In case of emergency, taken immediately to a nearby medical institutions.



Installation instructions and illustrations

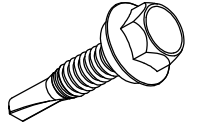
1. Make sure the ground is flat and firm before installing, avoid the ground subsidence and cause the greenhouse to tilt.
2. If you need to permanently install without moving, please use solid bricks and concrete to make the building foundation, make the house stronger.
3. Additional ground anchors or expansion screws required for different floors are required to be purchased by the user, and this product is not provided.

1. Before installation, you need to know the meaning of the following symbols.
2. Follow the pattern to install faster and less effort.

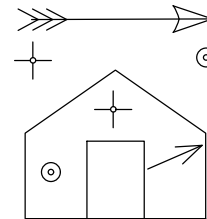


F6 Screw Installation Method

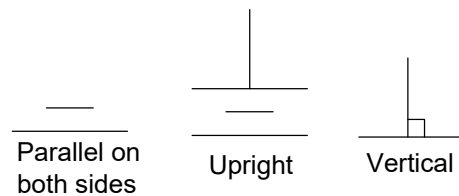
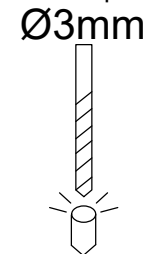
1. Install 8mm Sleeve
2. Start the first layer clockwise
3. Rotate counterclockwise for 3 seconds.
4. Tight clockwise to the end
5. Not too tight to ensure that the profile can not be deformed.



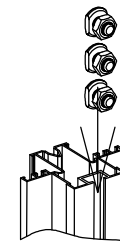
Installation process Perspective



It needs to be punched.



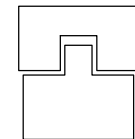
Reserved screws



Silicon




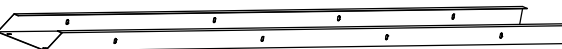
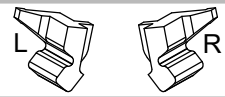




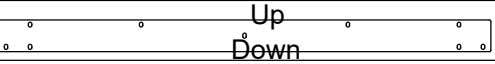




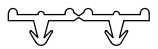

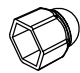
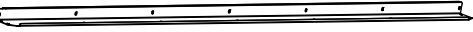
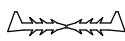

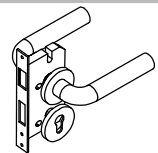
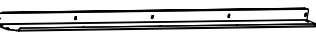


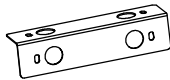
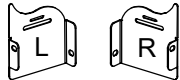

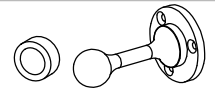
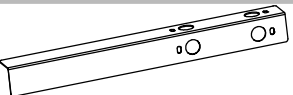

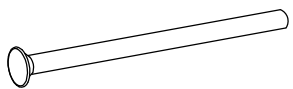
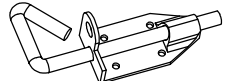
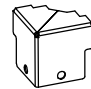

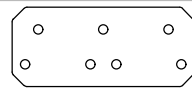
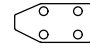

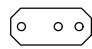
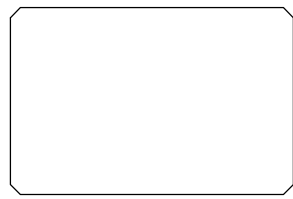
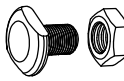
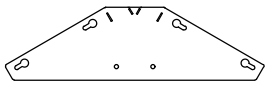
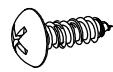
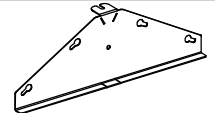
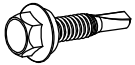
Components, preloaded




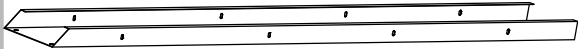


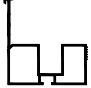





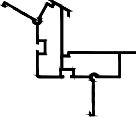





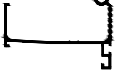



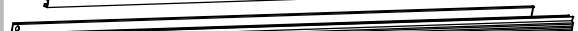








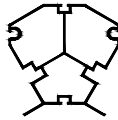













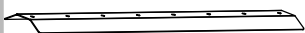



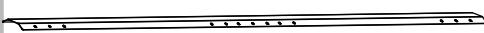



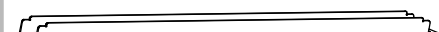


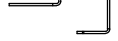
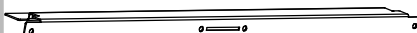


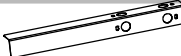

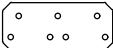

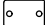

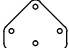





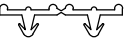





ZA720 PARTS LIST (4-1)

NO.	Qty.	Front wall and back wall		NO.	Qty.	Front wall and back wall	
D1A	2		1900	A6L	2		
D1B	1				A6R		
D4	1		1900	A7L	2		
ZA-D2	4		814	A7R	2		
ZA-D3	4		814	A8L	1		
D5	12		40	A8R	1		
D6	6		60	A9L	1		
D7L	1		1950	A9R	1		
D7R	1				A4B		
ZA-D8	1		2064	ZA-A5B	8		
ZA-D9	1		2064	A7B	2		
A10	4		1552	A6LB	2		
ZA-A1	1		2128	A6RB	2		
ZA-A2	2		1432	A7LB	1		
ZA-A3	1		2834	A7RB	1		
A4	4		1500	A8LB	1		
ZA-A5	4		2783	A8RB	1		
					A9LB	1	
				A9RB	1		
				A10L	1		
				A10R	1		
				A4C	8		
				ZA-A5C	8		
				A6C	4		
				A7C	4		
				A8C	2		
				A9C	2		

ZA720 PARTS LIST (4-2)

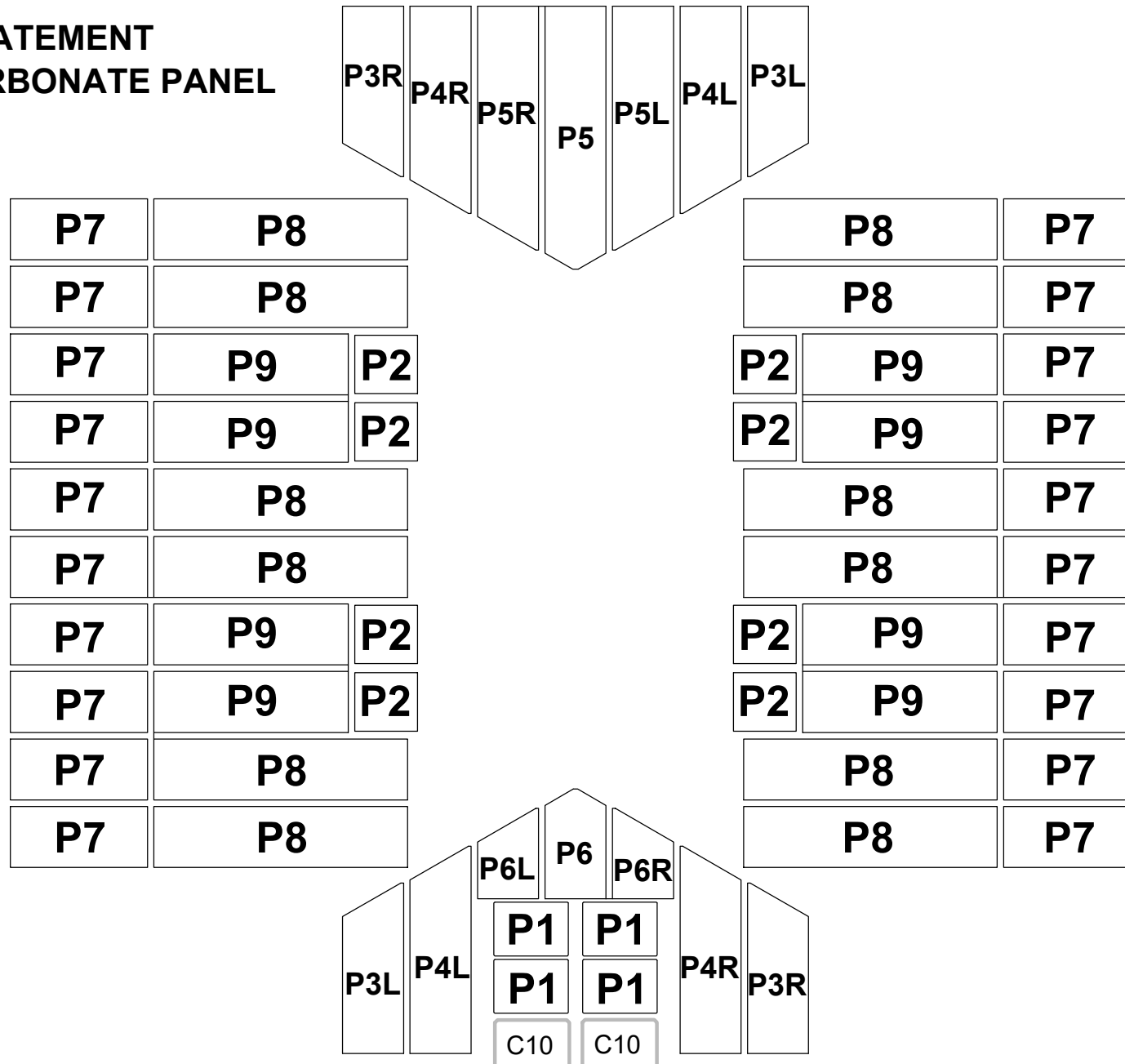
NO.	Qty.	Front wall and back wall				NO.	Qty.	Image	NO.	Qty.	Image		
ZA-B1	2		2537			S6L	2		F7	n			
ZA-B2	2		1507			S6R	2						
ZA-C11	1			2152			J1	11		F8	n		
LC1	2		2491			J2	1	 	F9	n			
LC2	2		2138			J3	1	 	L1	1			
LC3	2		1432			J5	1	 					
NO.	Qty.		NO.	Qty.		NO.	Qty.		NO.	Qty.			
B7	8		C6L	2		F1	32		L2	2			
			C6R	2									
B8	8		C7	2		F2	6		L3	2			
B9	4		C8	2									
C2	1		C9	4		F3	8						
C3	8		C10	2		F4	161						
C4	4					F5	8						
C5	2					F6	160						

ZA720 PARTS LIST (4-3)

NO.	Qty.	Left and right walls and top		NO.	Qty.	Left and right walls and top	
ZA-B3	4		3596 	A6A	18		1500 
ZA-A4	2		3540 	A7A	18		2785 
ZA-A5	2		3540 	A6B	18		1500 
WA1A	2		3540 	A7B	18		2790 
WA3A	2		3540 	A4C	18		1500 
WA1B	2		3613 	A7AC	6		2790 
WA3B	2		3613 	A7AD	12		2080 
WA1C	4		3613 	W4	16		260 
WA4	2		1612 	W5	8		2100 
TA5	2		3613 	G1	4		1300 
A10	4		1552 	G2	4		200 
A11	4		3020 	NO.	Qty.	NO.	Qty.
TC1	9		2471 	A12	20		640 
CT2	1		750 	W1	16		694 
CT1	1		1612 	W2	16		700 
CW6	16		730 	W3	8		692 
CW7	8		730 	B7	4		G3 12 
				B8	4		G4 4 
				C2	2		G5 4 
				CW8	8		F4 455 
				C1	20		F6 136 
				ZT-C16	2		F10 16 
				J1	40		F11 16 
				J2	1		F12 48 
				J4	1		F13 8 
							F9 n 

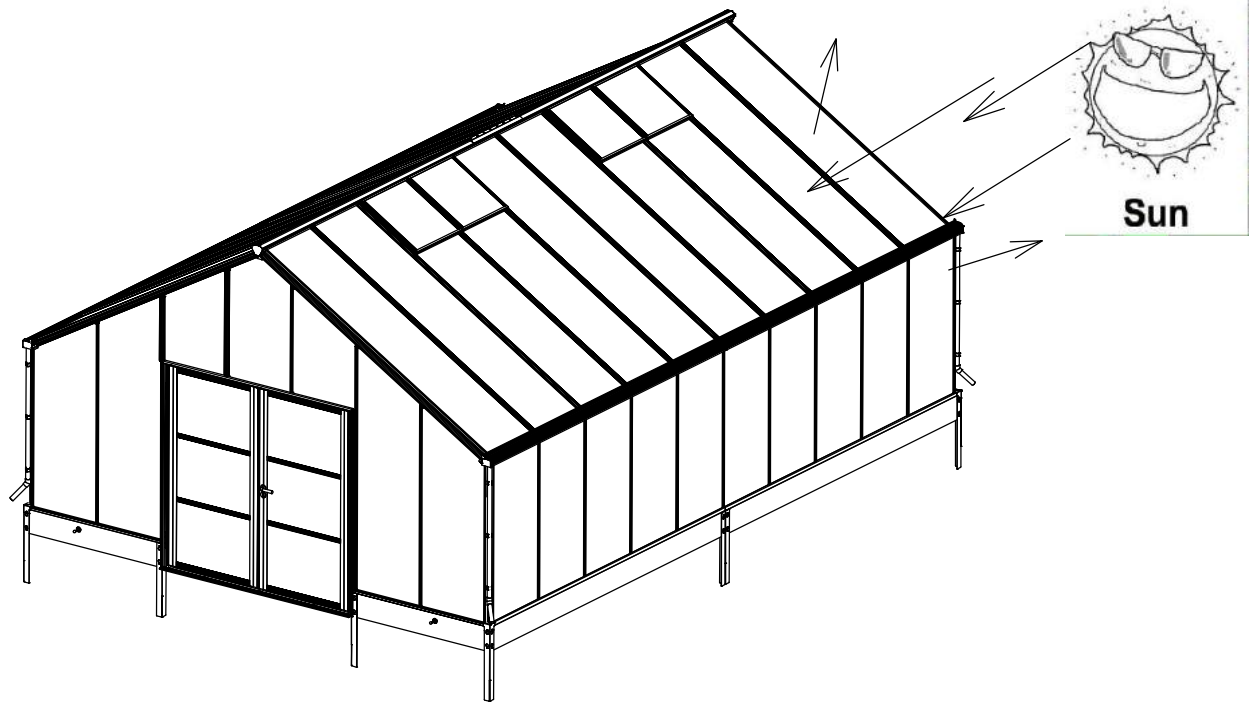
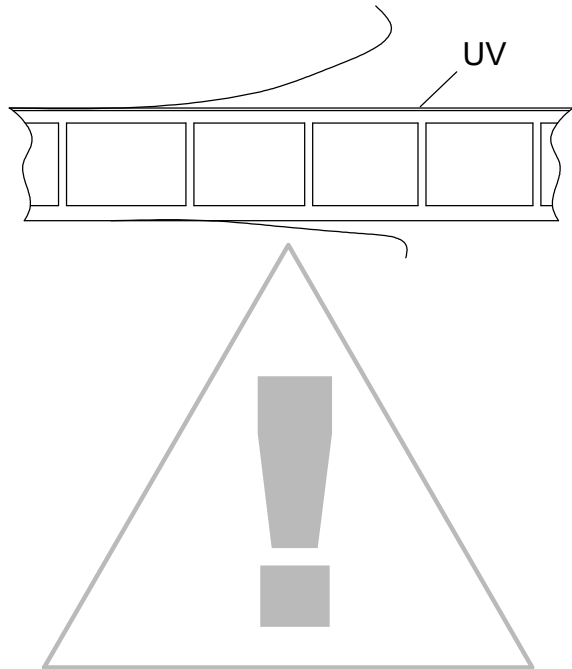
ZA720 PARTS LIST (4-4)

**SUMMARY STATEMENT
FOR POLYCARBONATE PANEL**



Towards the white film side to the sun as it is UV-protected.

Advice: According to the thickness and quantity of polycarbonate, please buy suitable polycarbonate sealing tape. It can effectively avoid insects, dust, water vapor into the sun plate end. The required length is $(L + W) \times 8$.

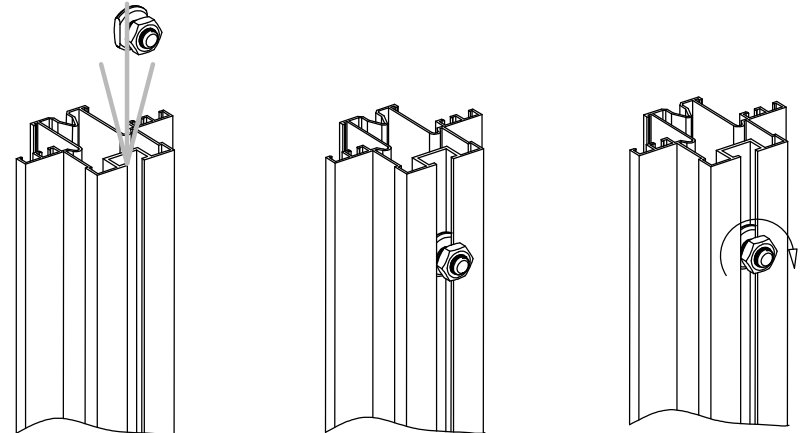


"hexagonal screw" installation

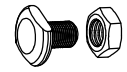
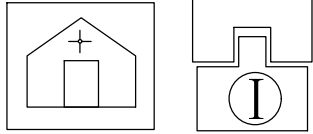
Place the "hexagonal screw" into the groove, turn clockwise until it stops turning.

Adjust the "hexagonal screw" by hand and twist so threads fix it in place.

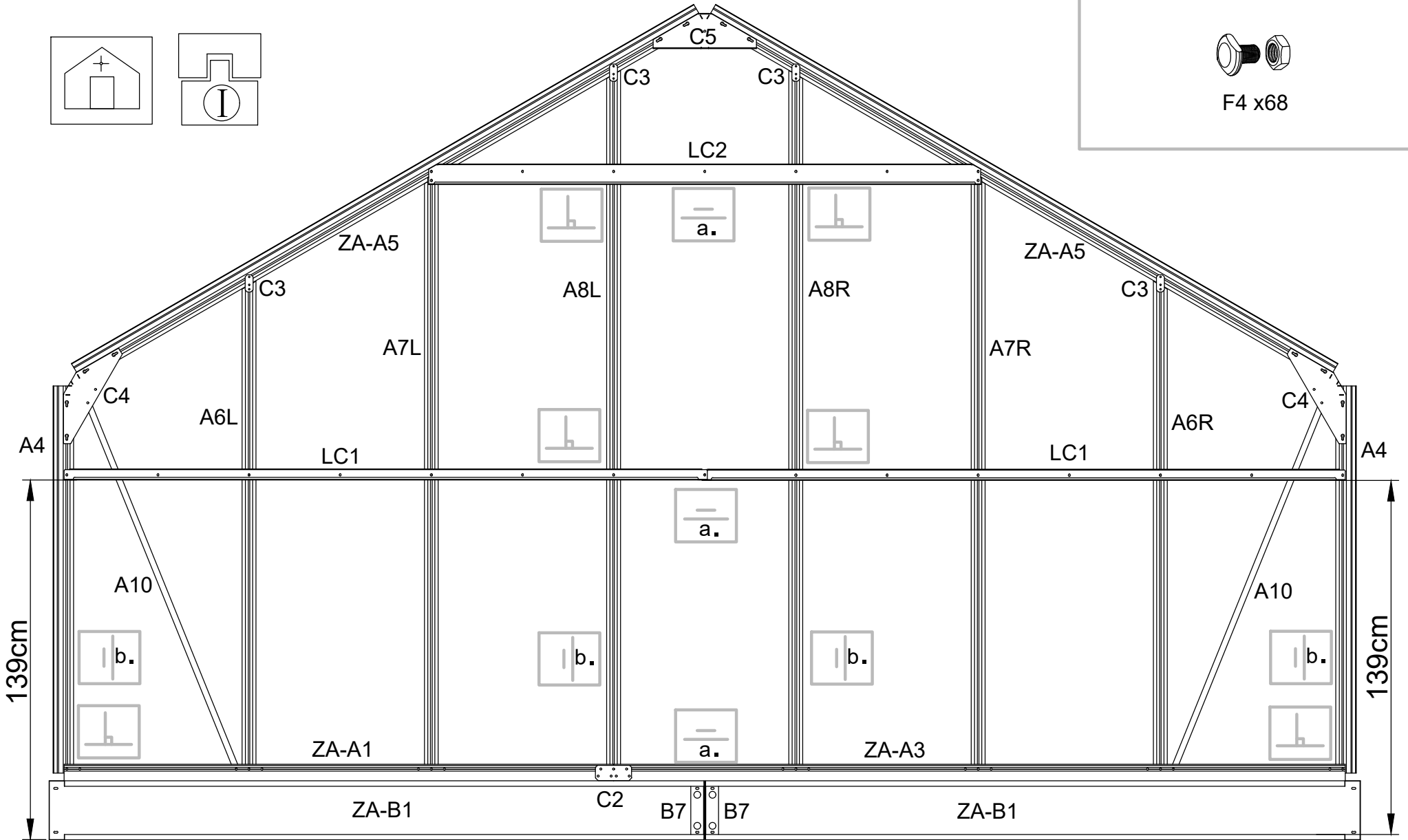
Place other parts on "hexagonal screw" and assemble nut.

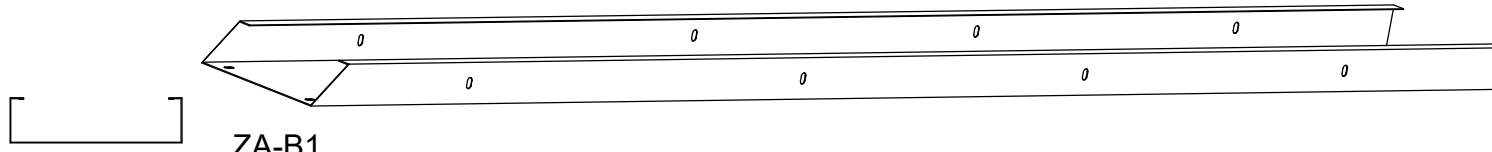


Back wall

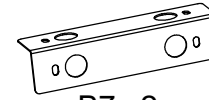


F4 x68

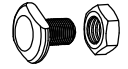




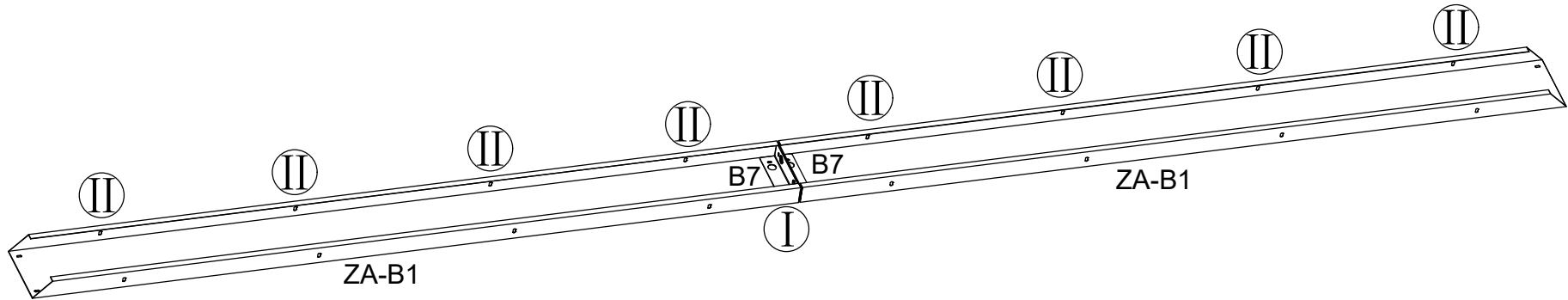
ZA-B1
x2



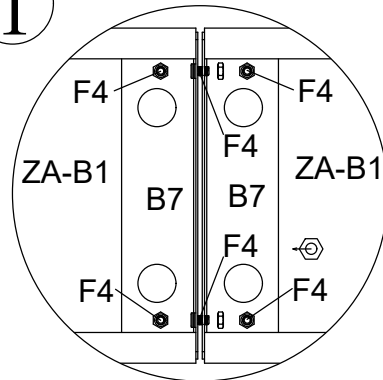
B7 x2



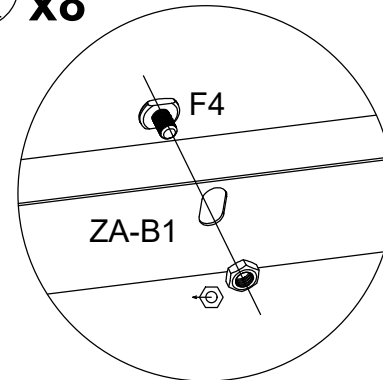
F4 x14

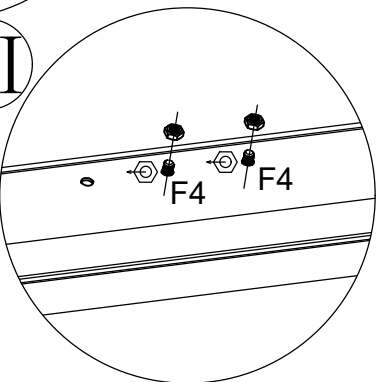
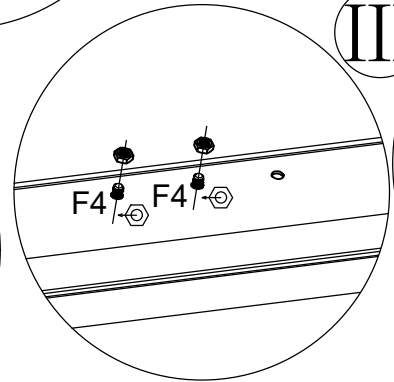
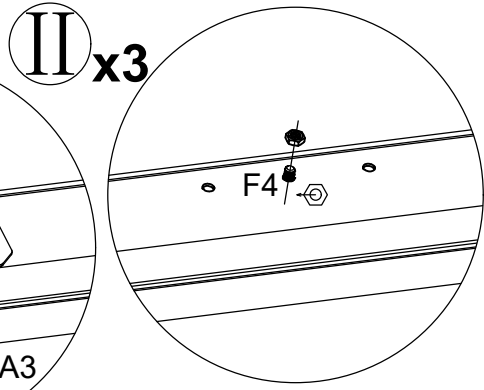
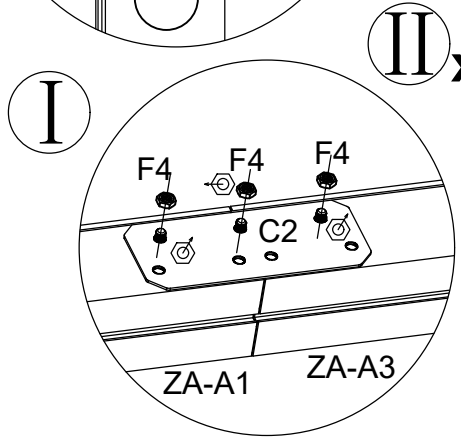
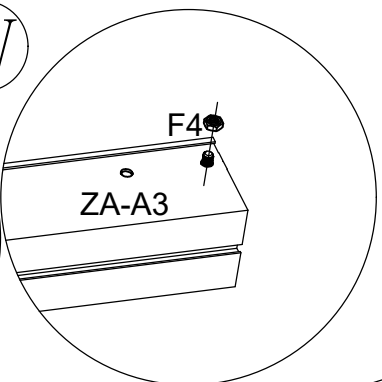
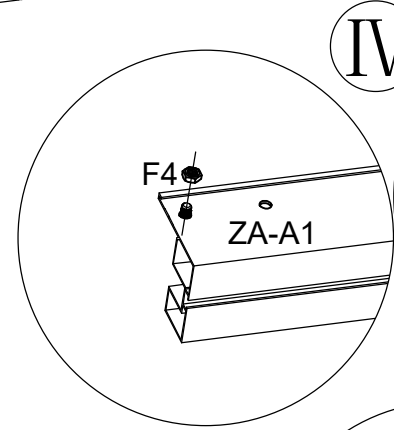
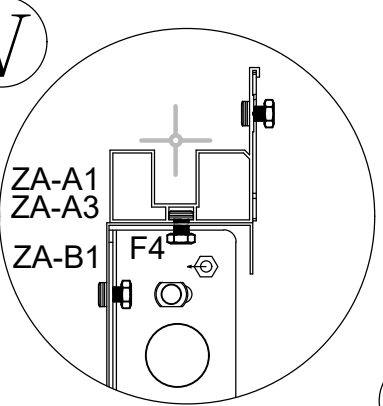
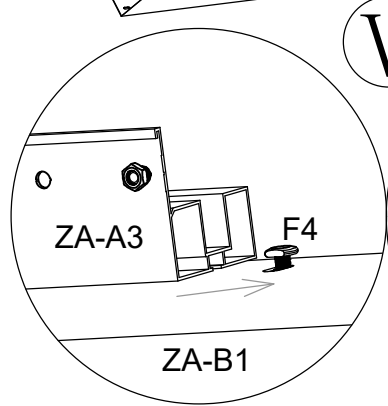
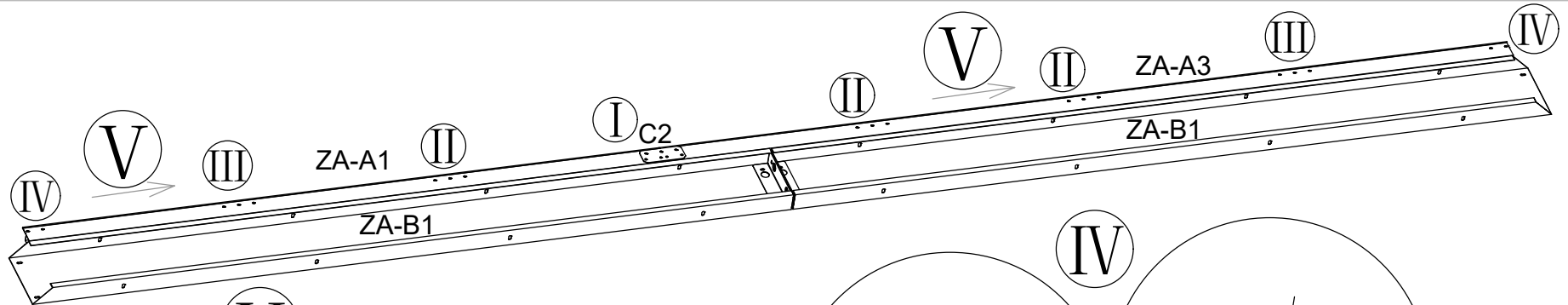
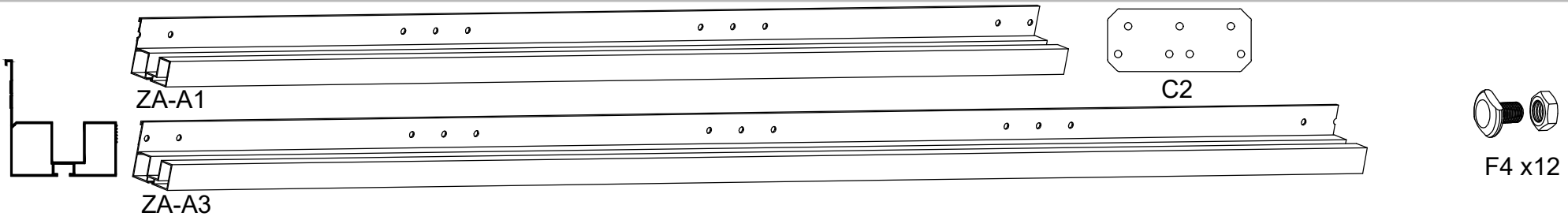


I



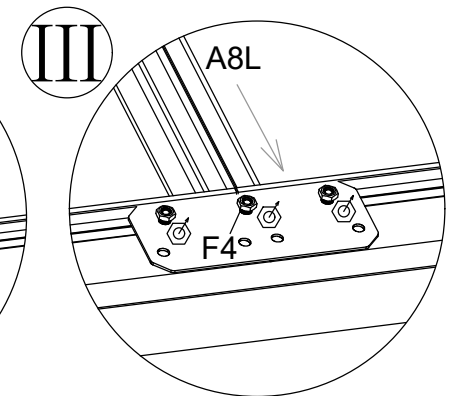
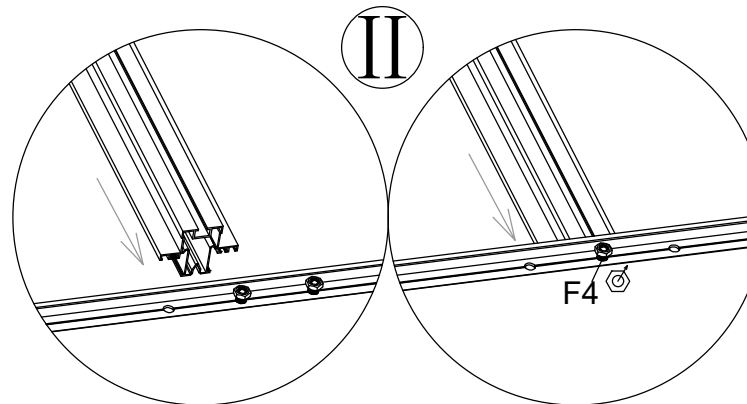
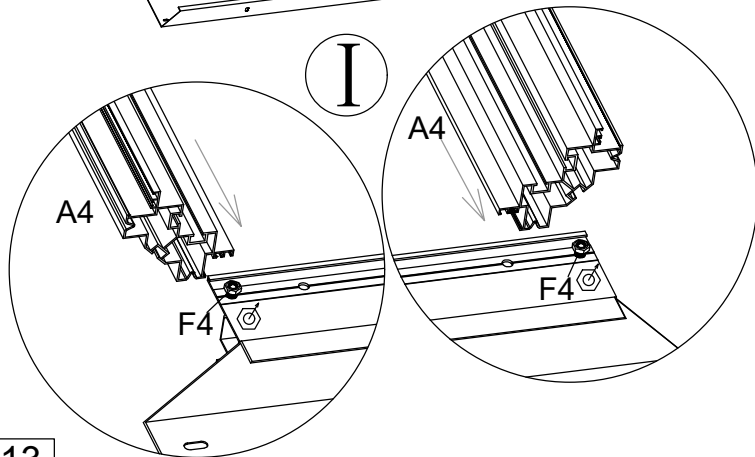
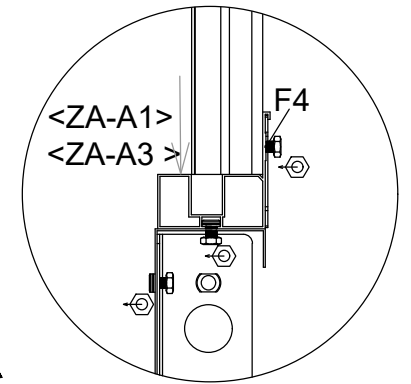
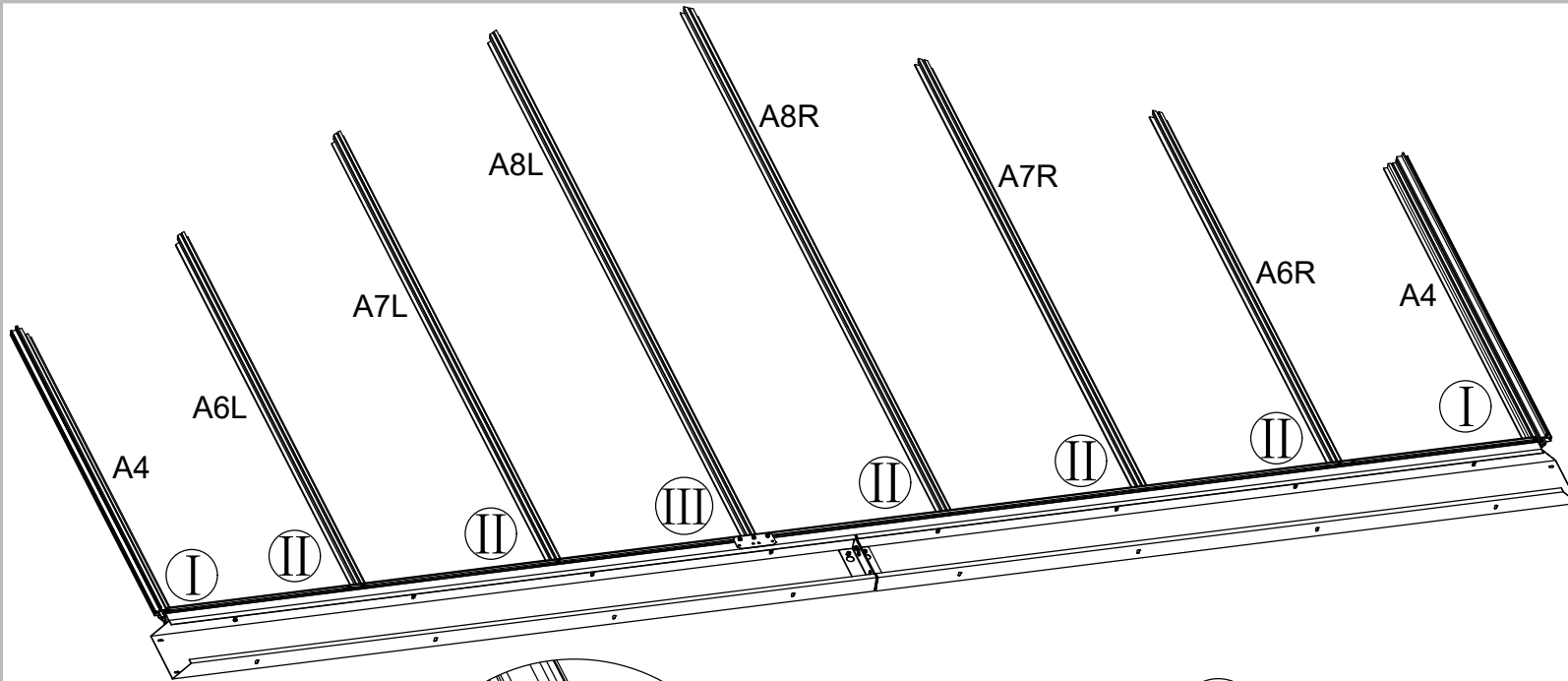
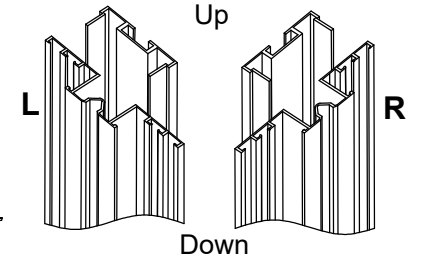
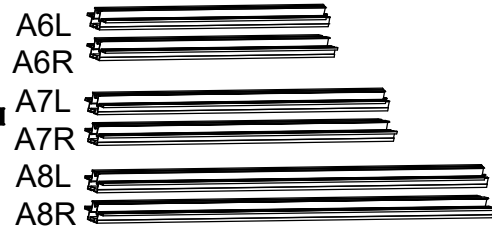
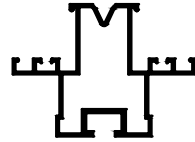
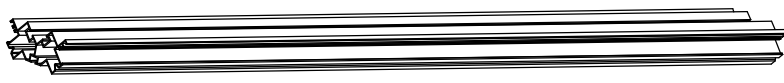
II x8

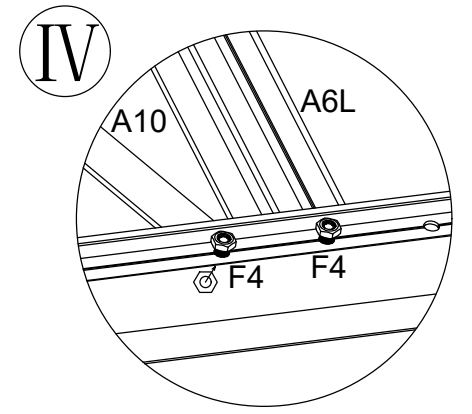
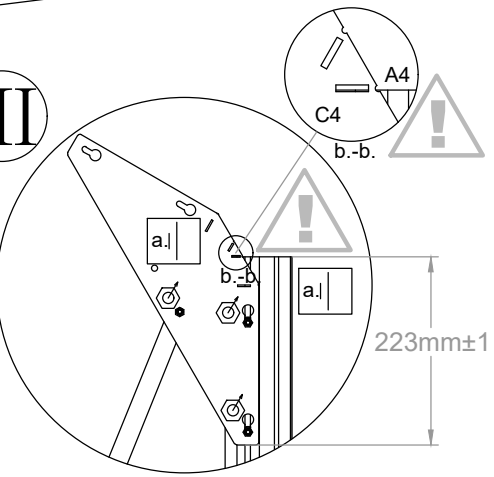
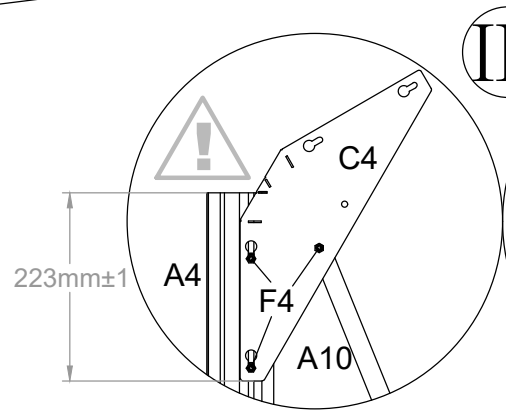
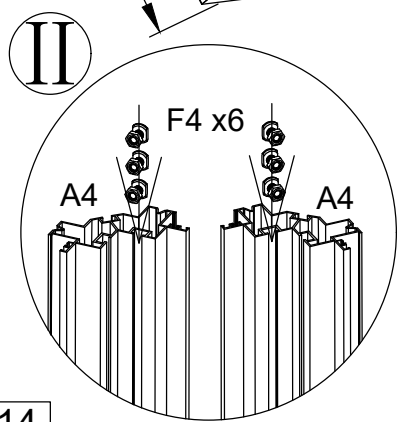
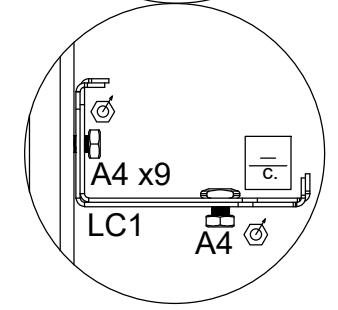
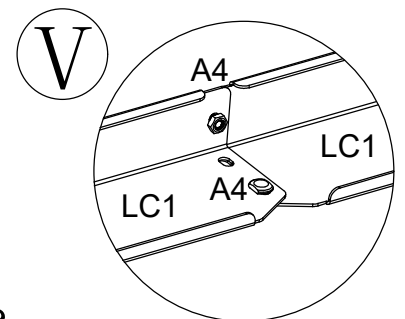
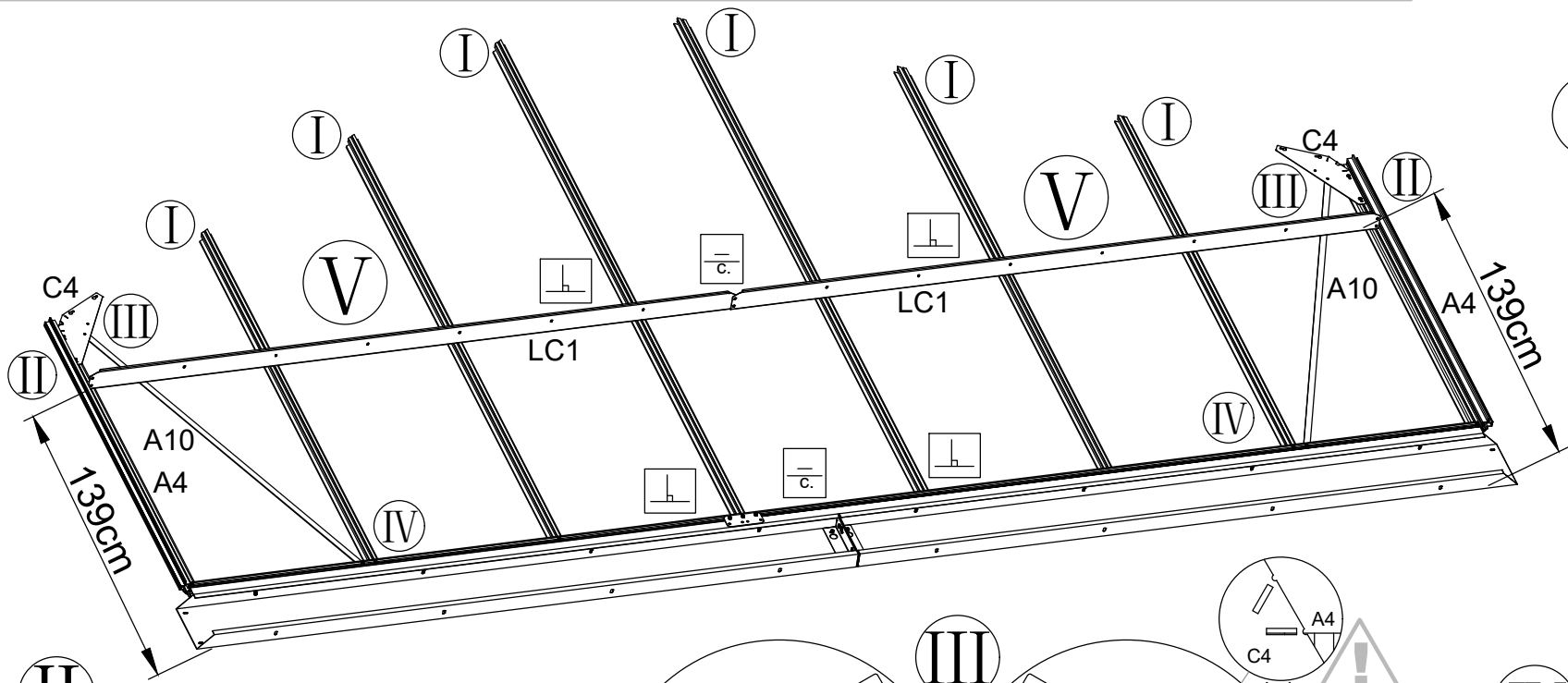
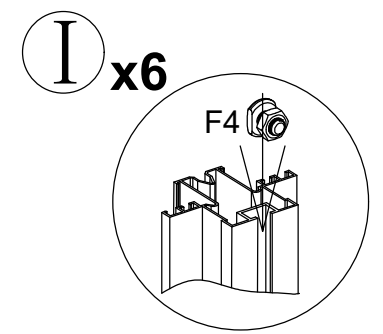
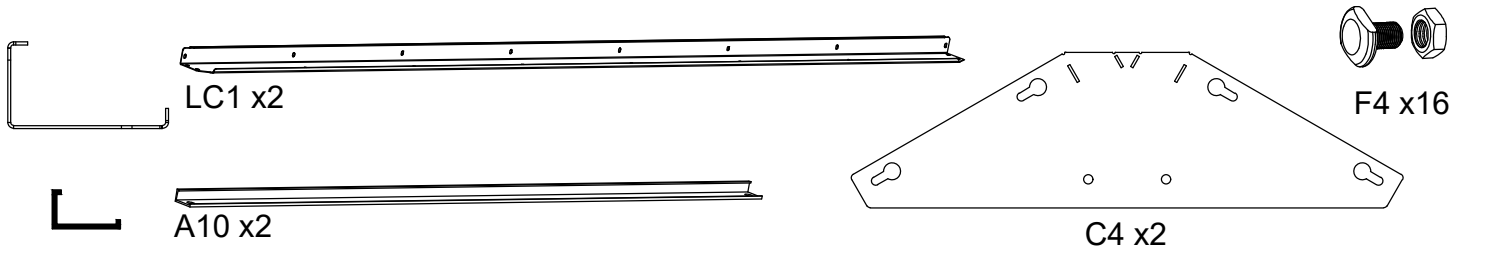


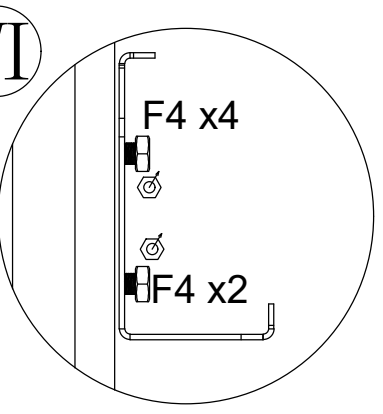
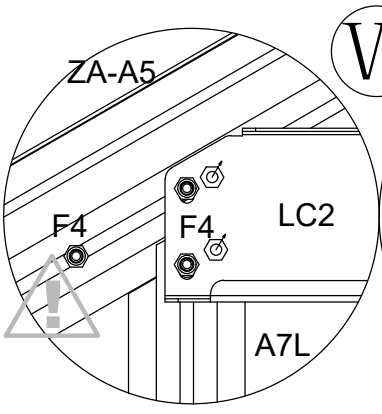
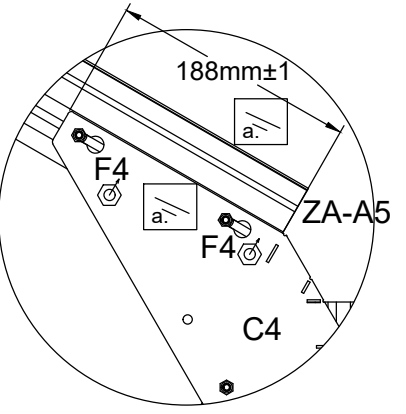
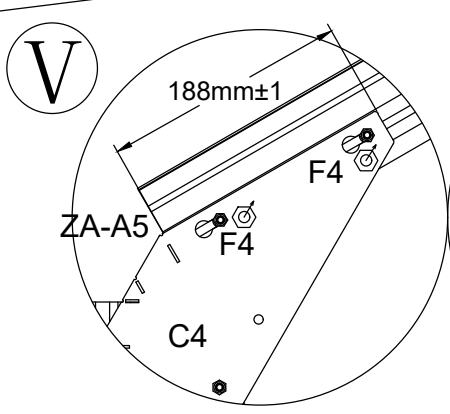
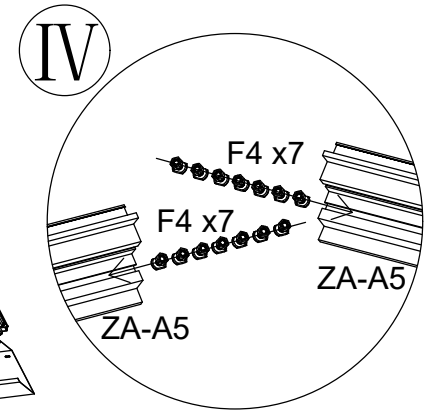
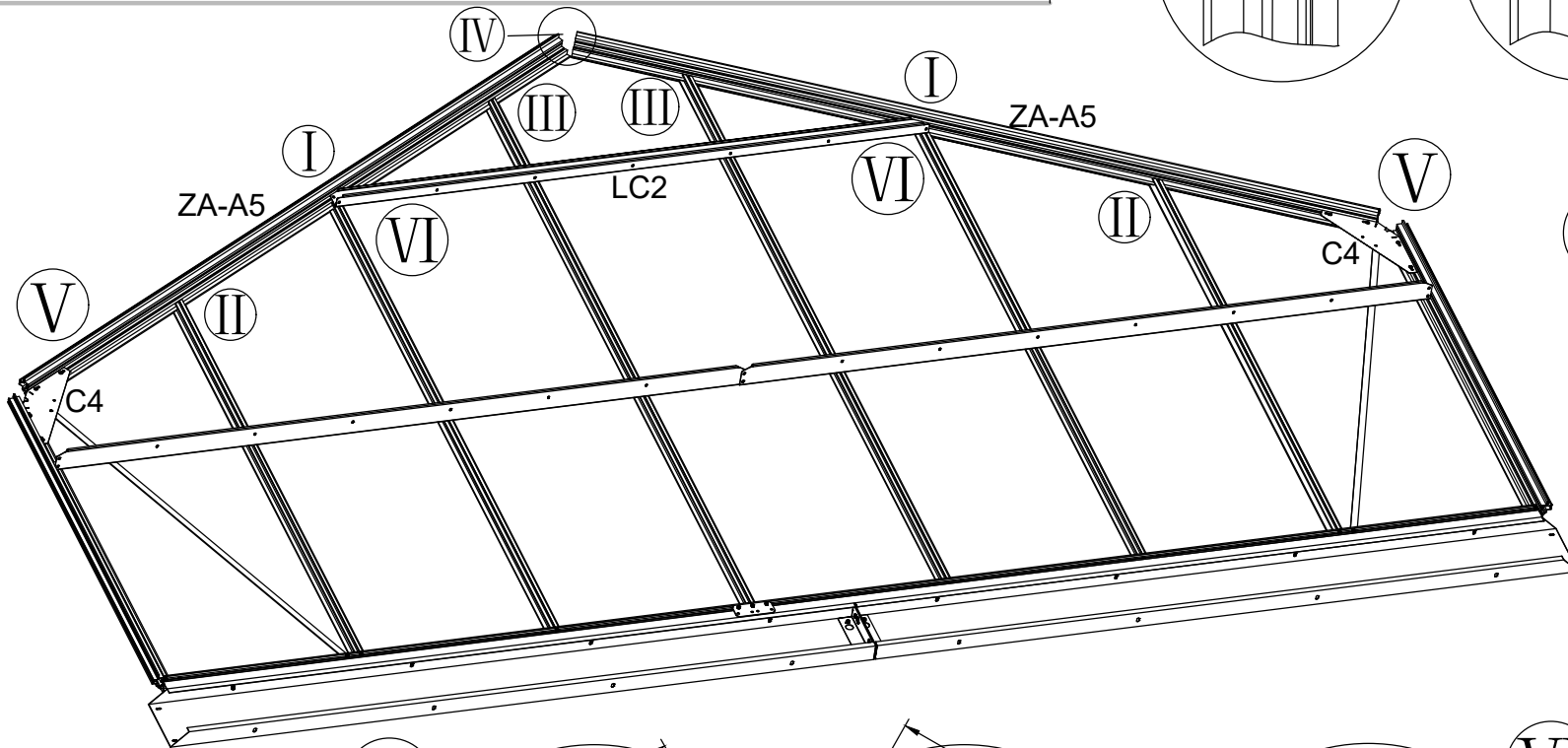
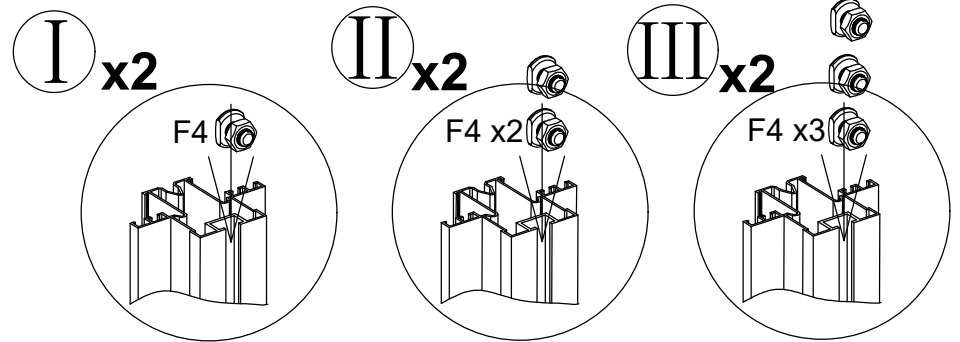
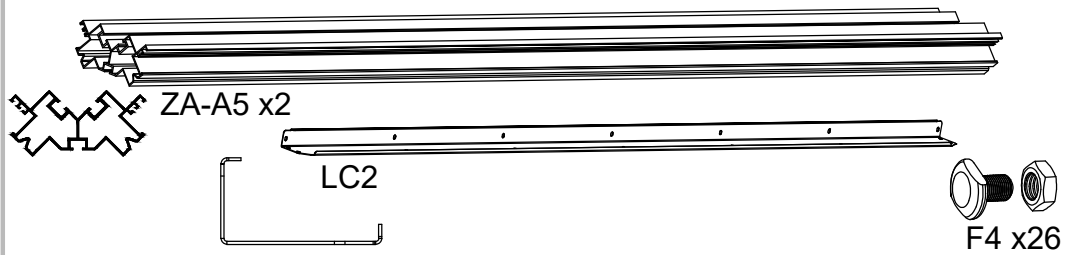


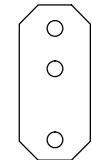


A4 x2

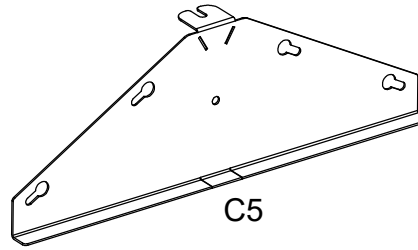




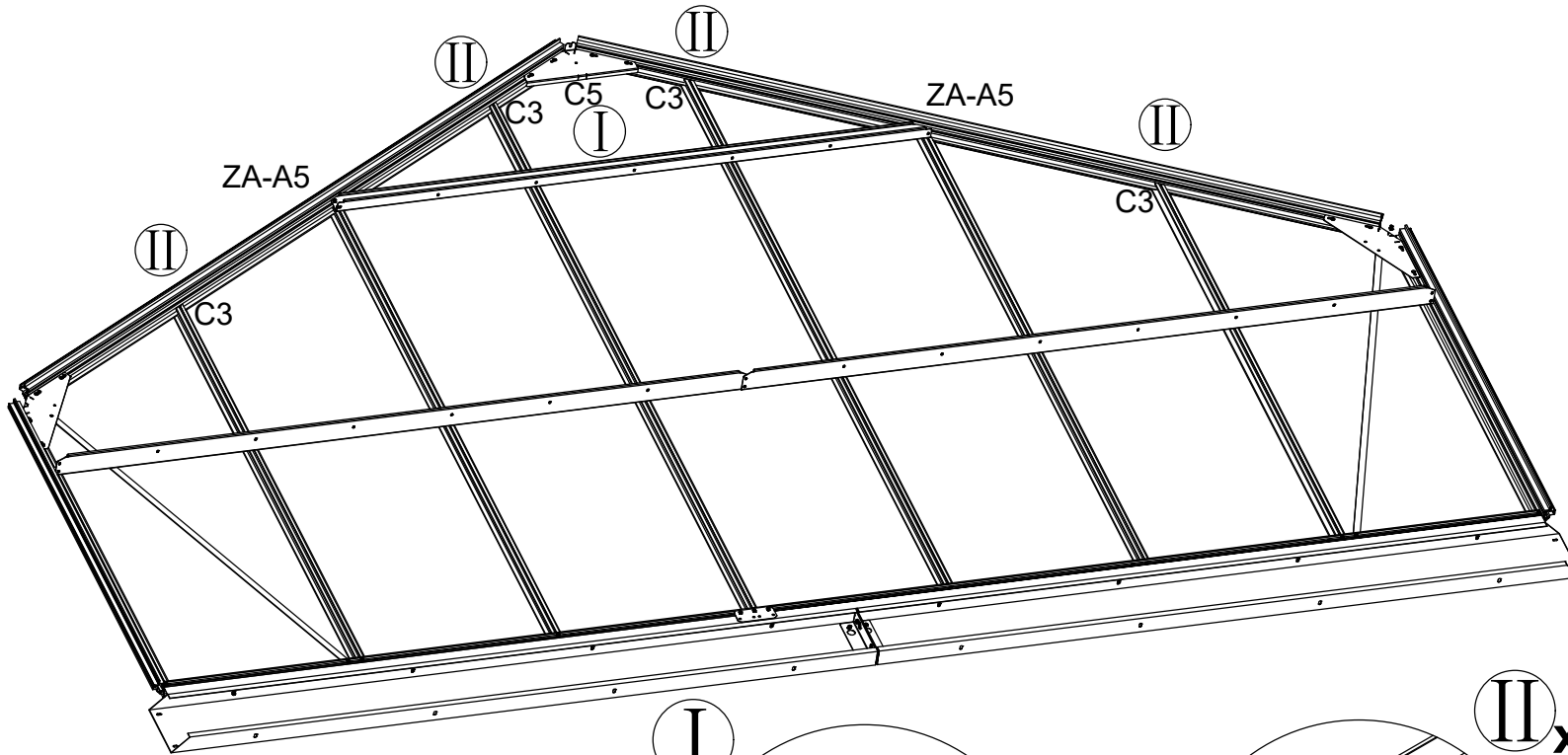




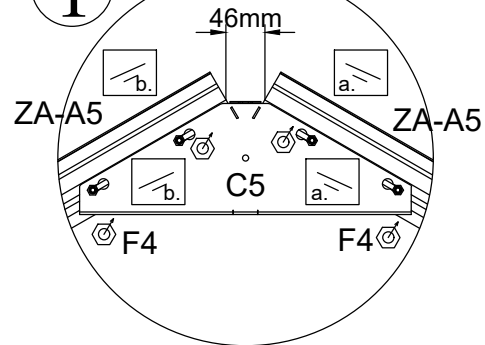
C3 x4



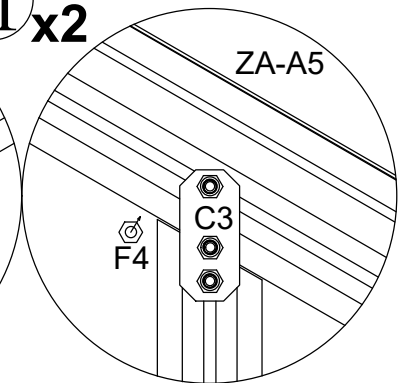
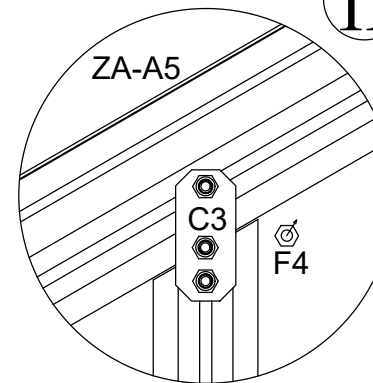
C5



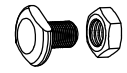
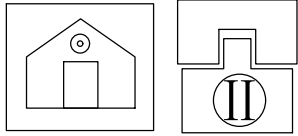
I



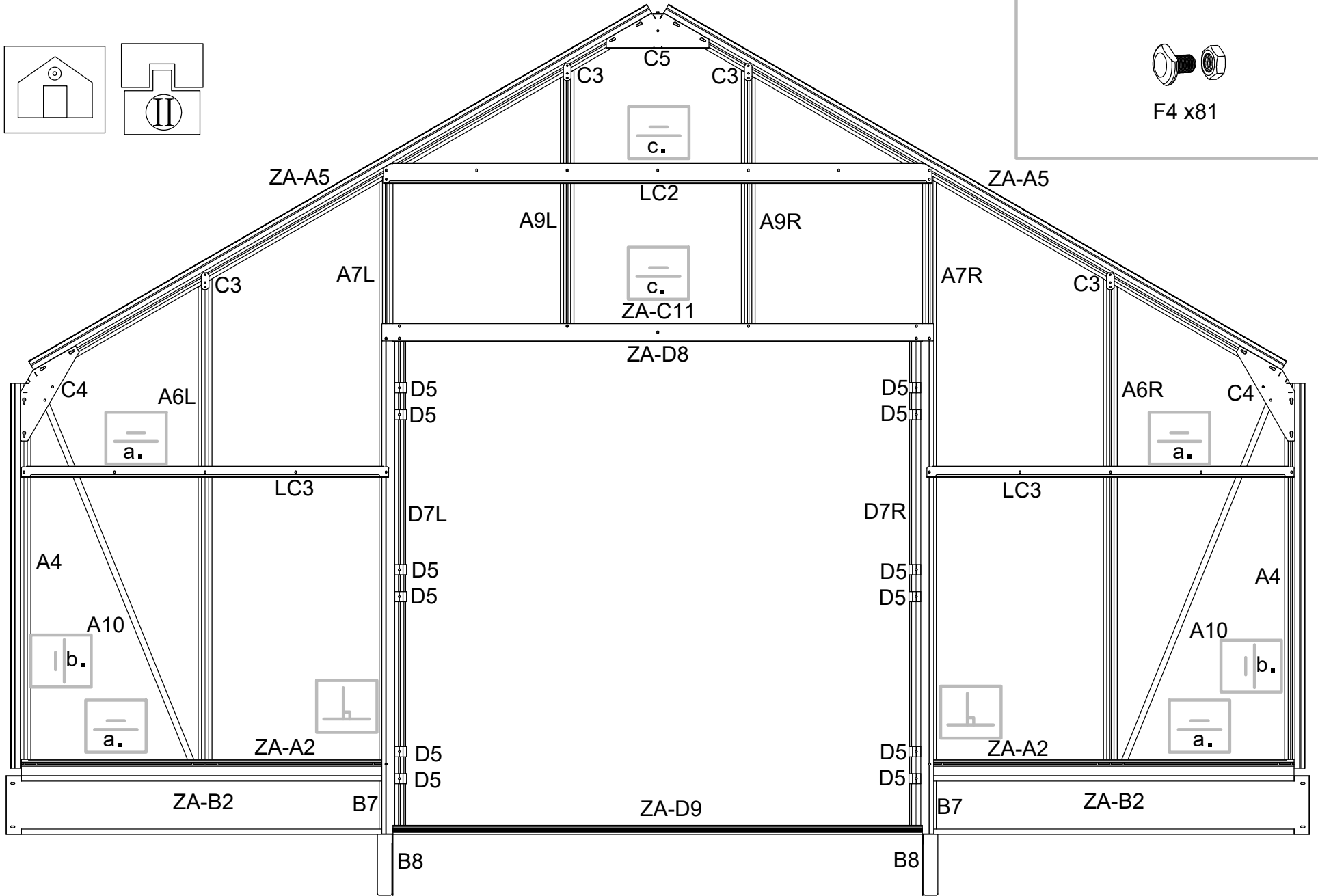
II x2

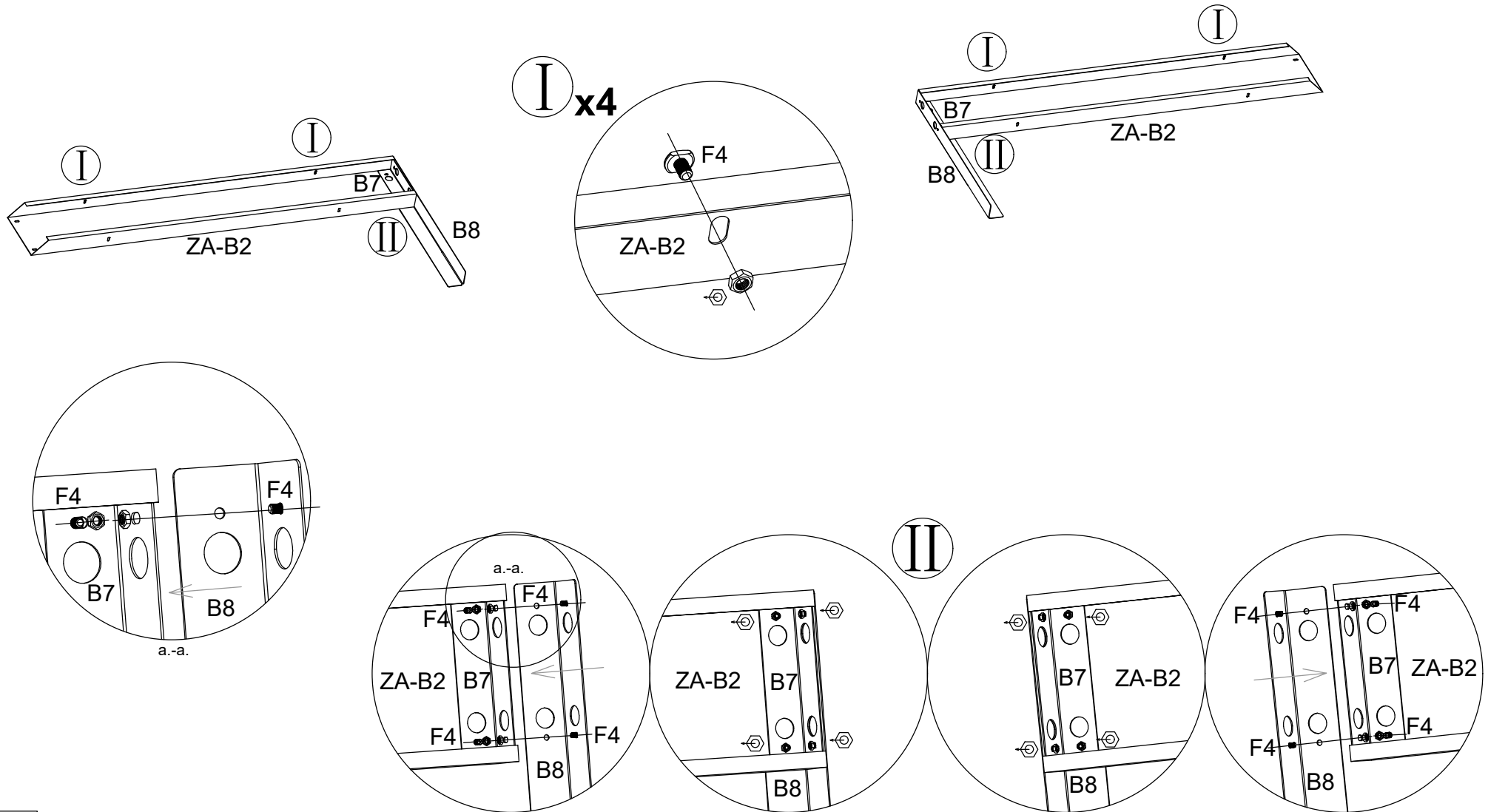
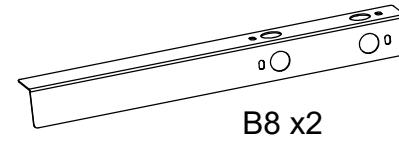
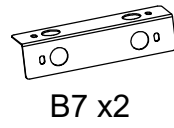
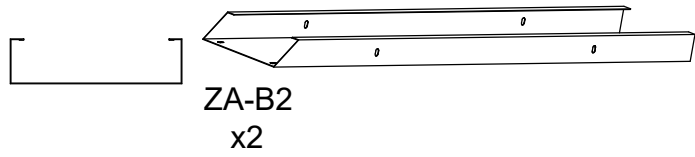


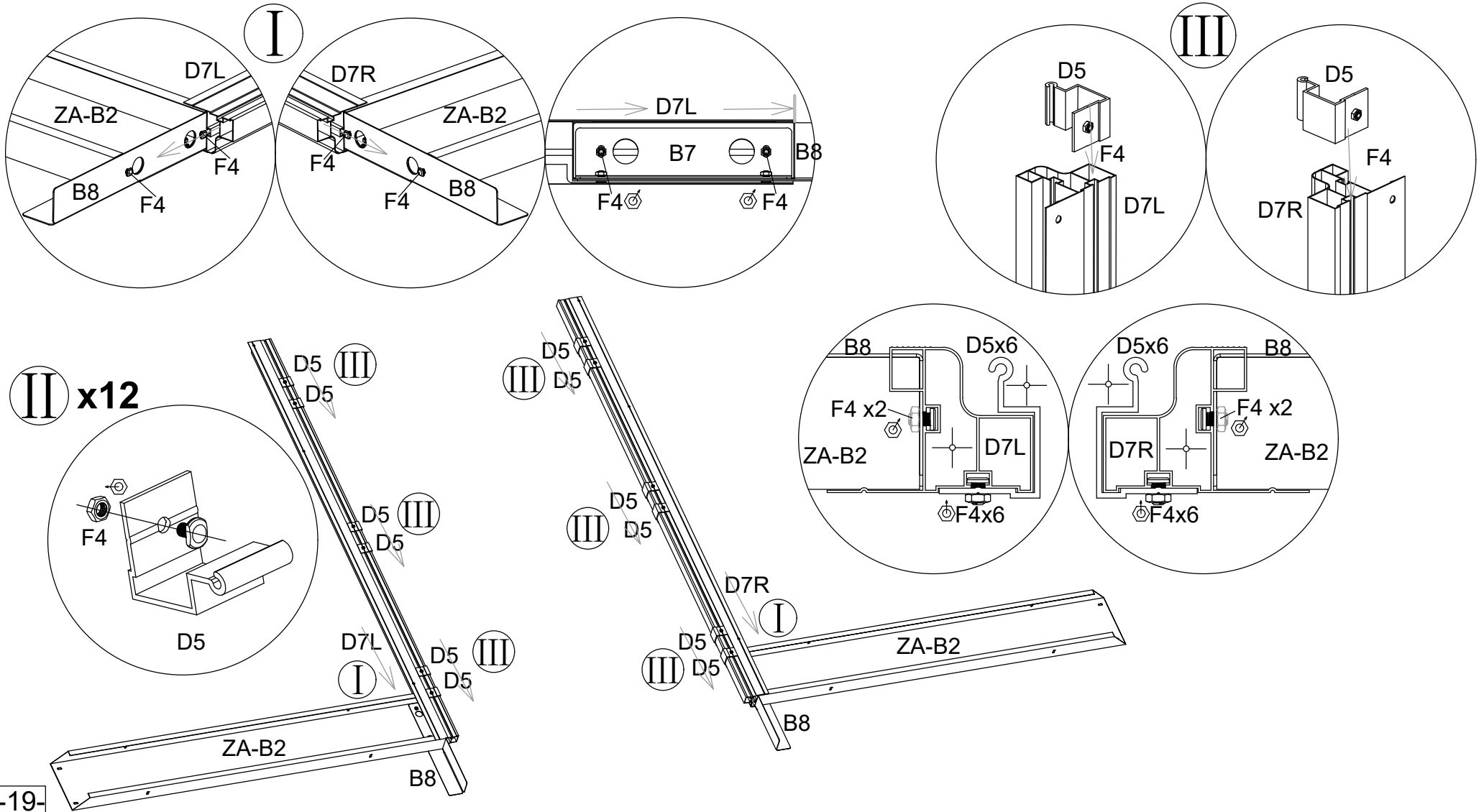
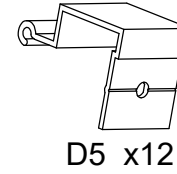
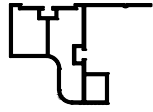
Front wall

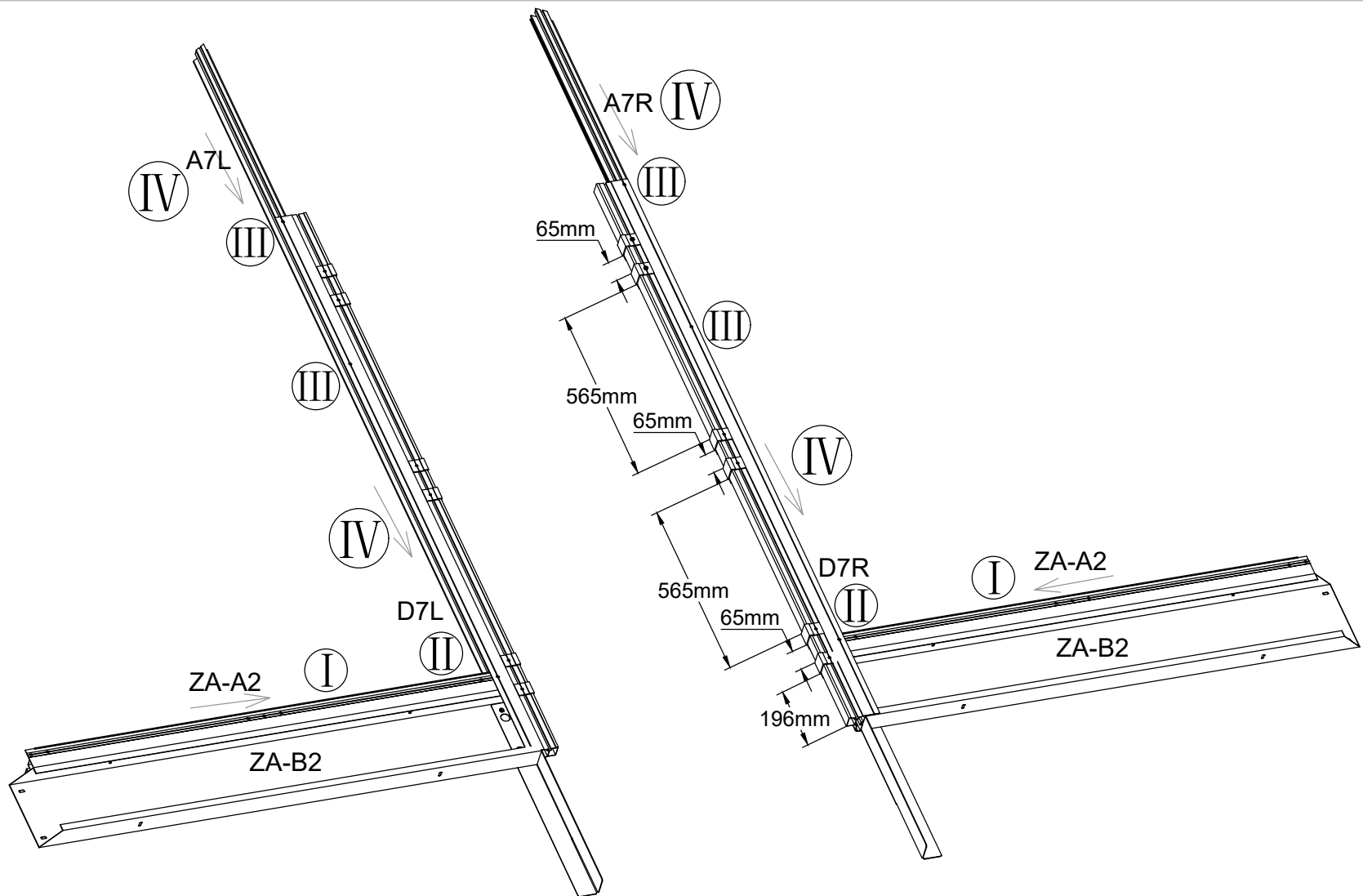
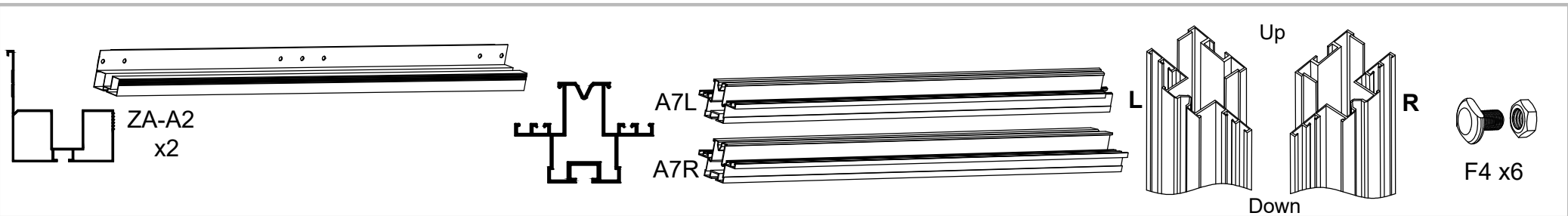


F4 x81

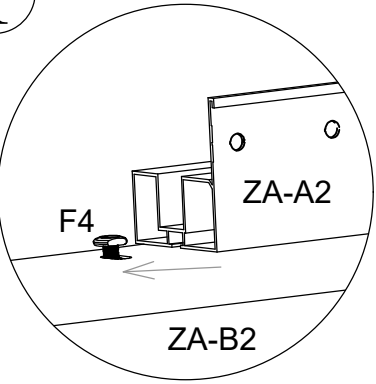
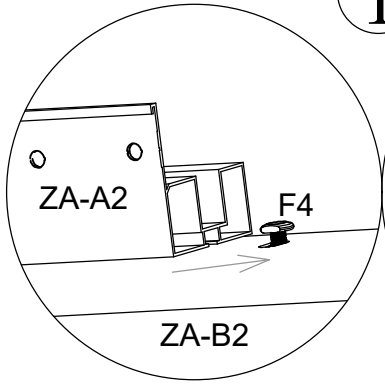




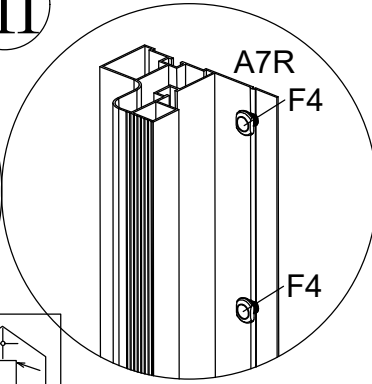
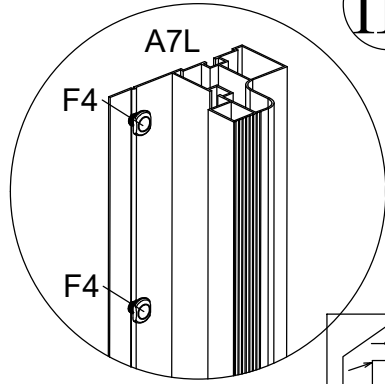




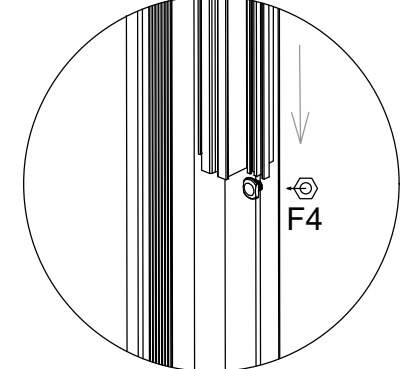
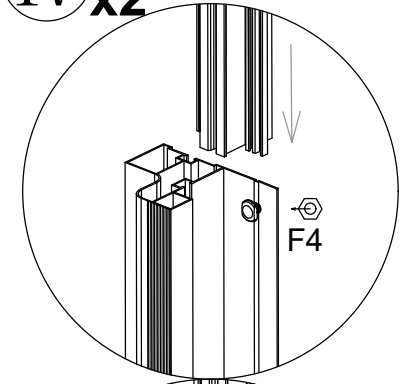
I



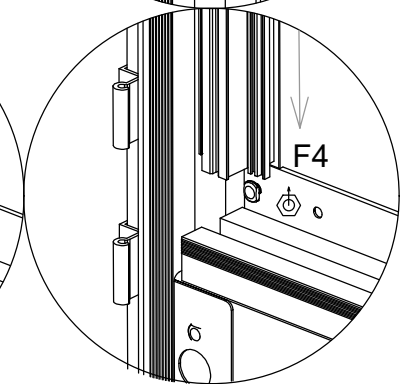
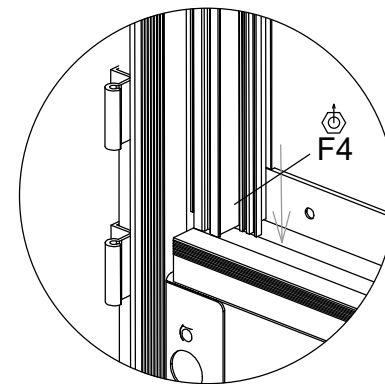
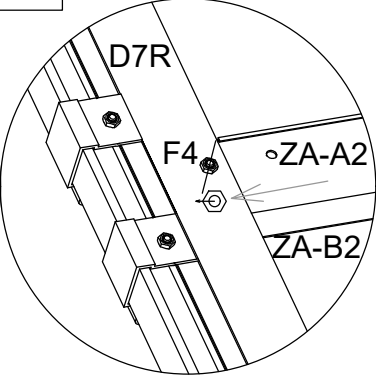
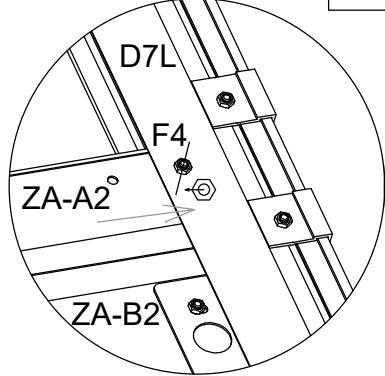
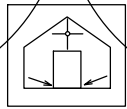
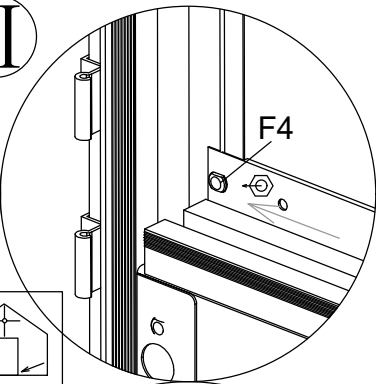
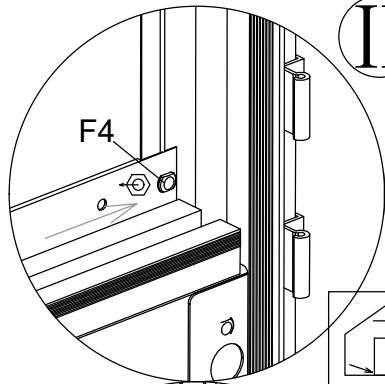
III

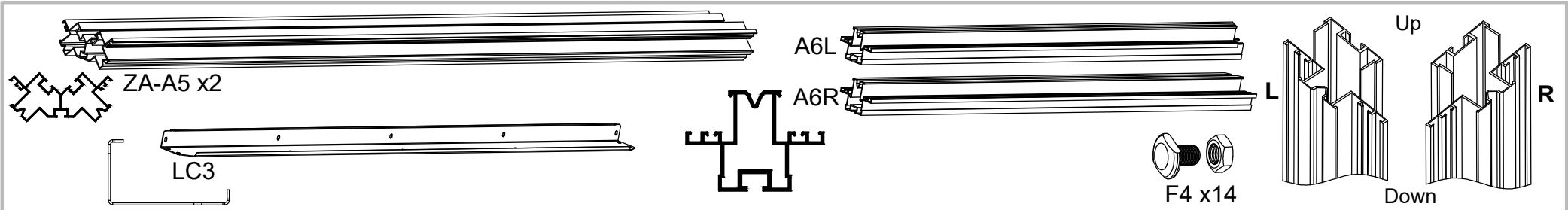


IV x2

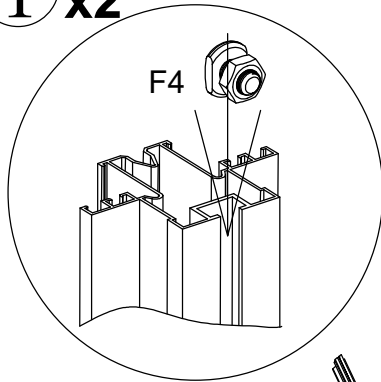


II

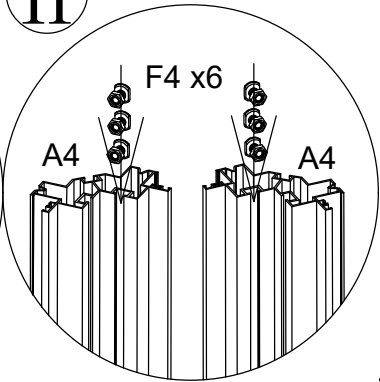




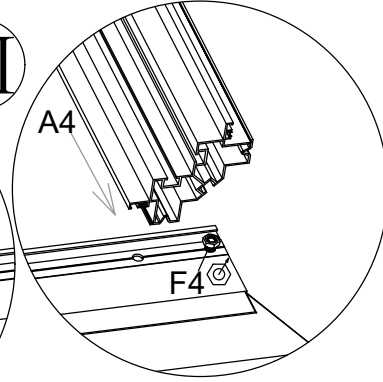
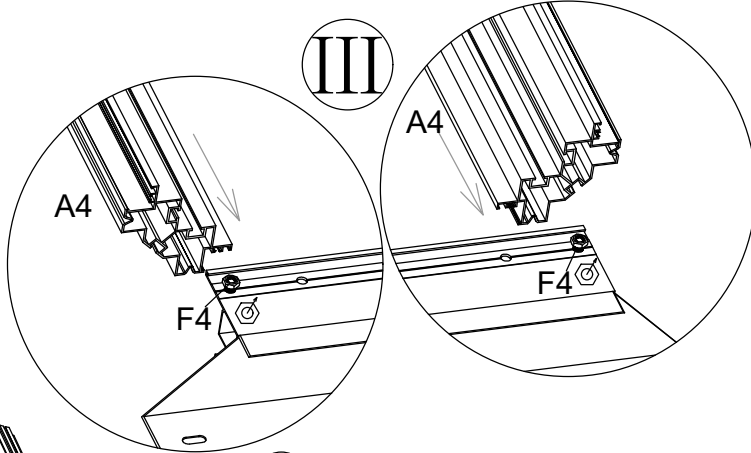
I x2



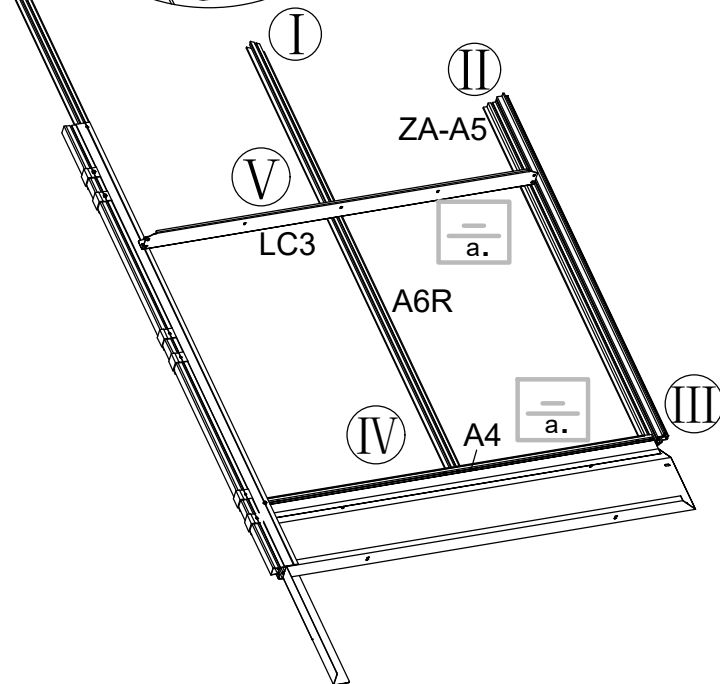
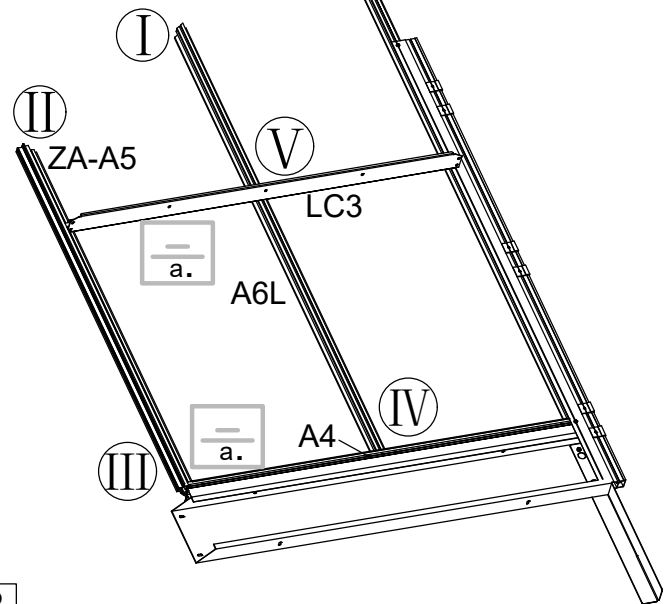
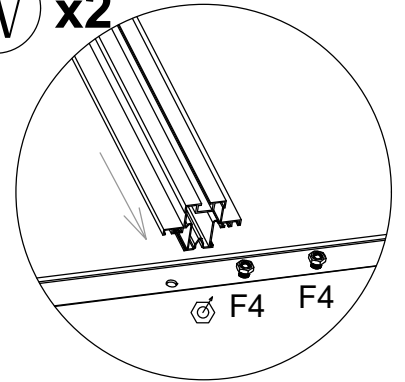
II



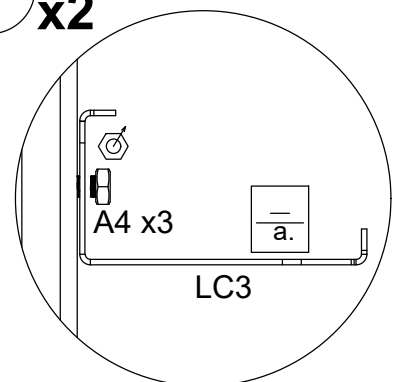
III

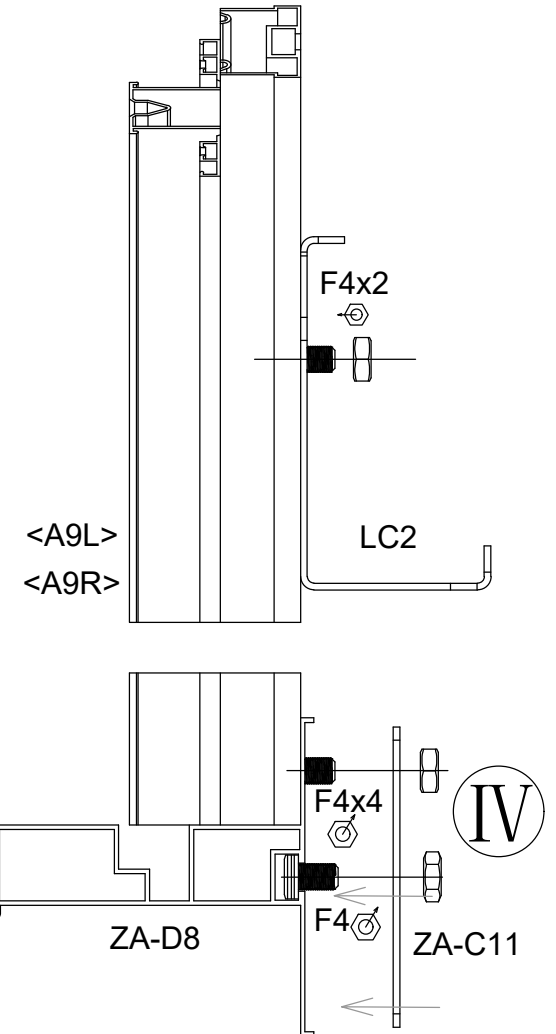
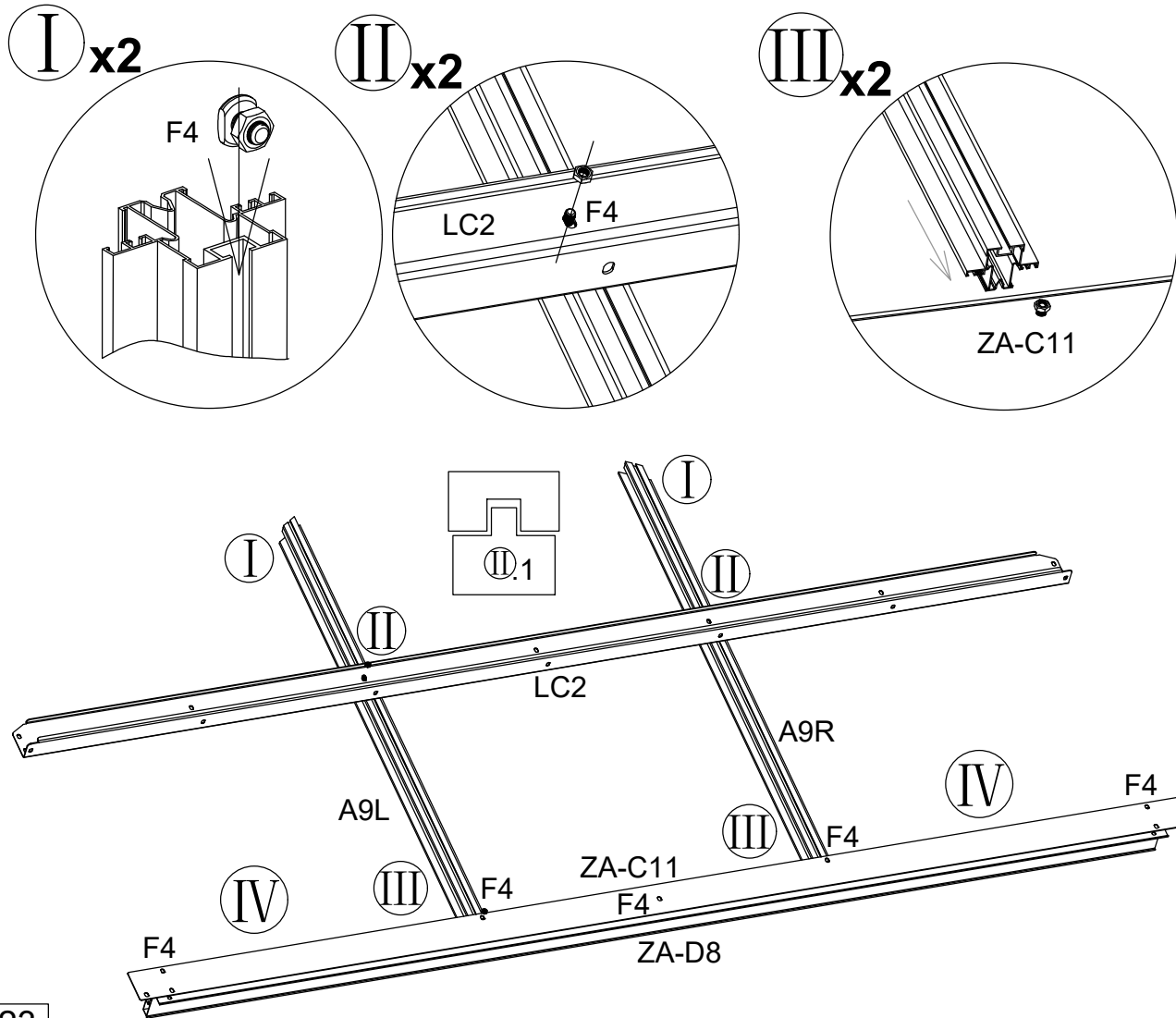
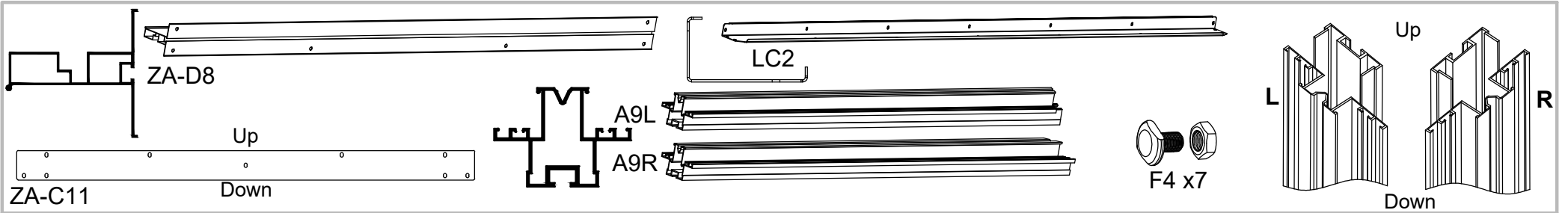


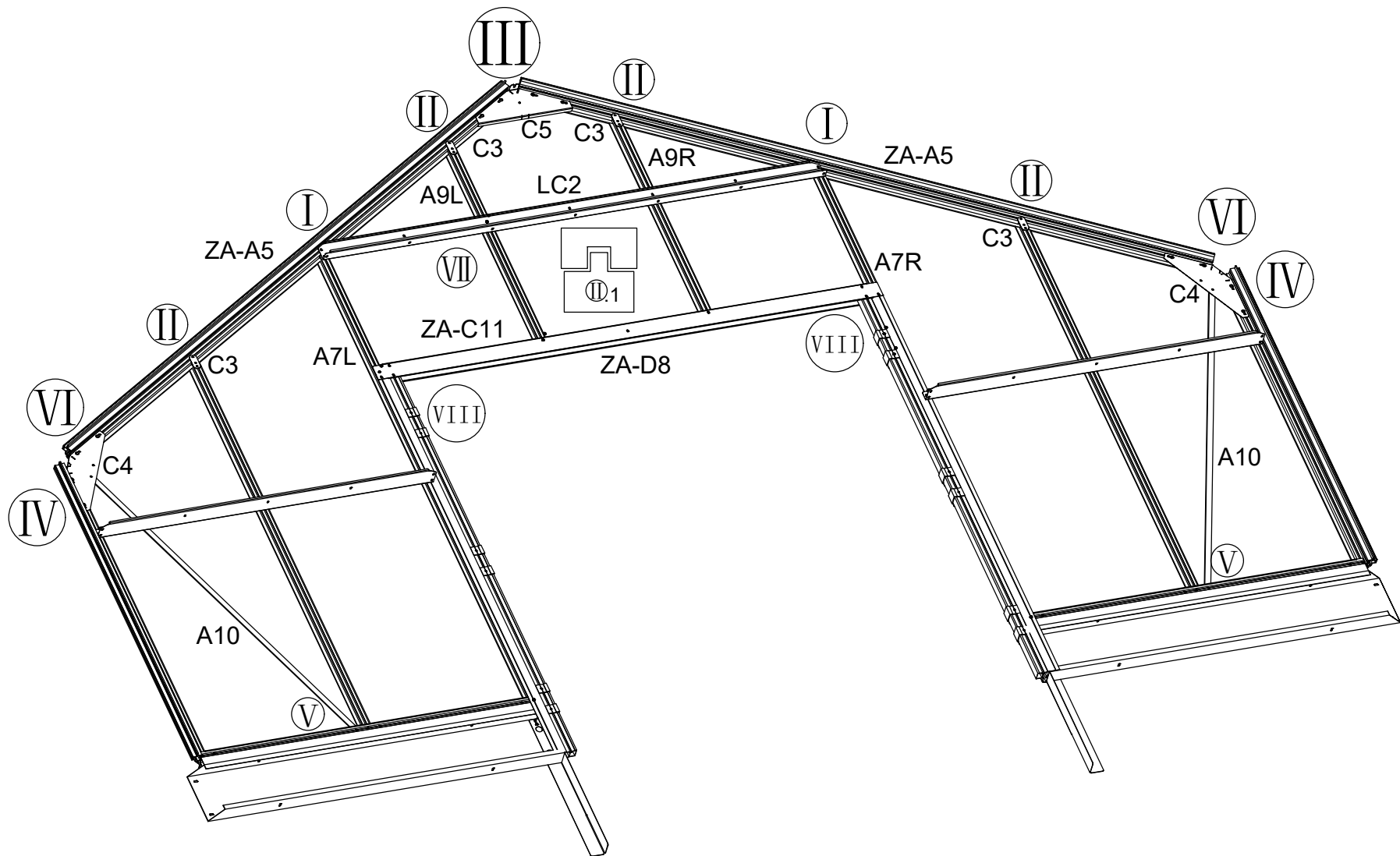
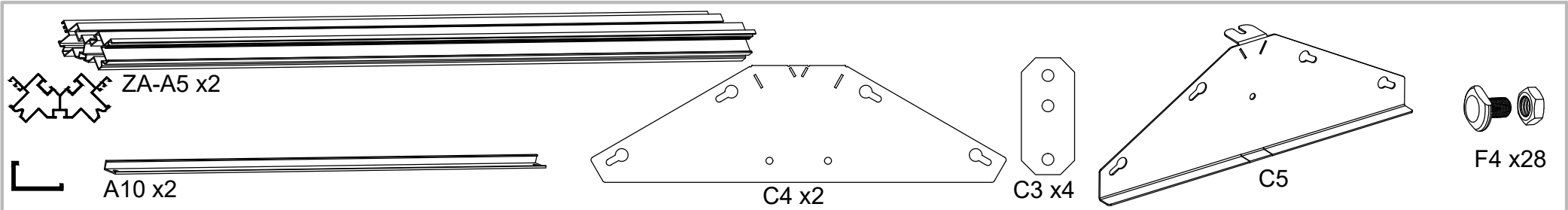
IV x2



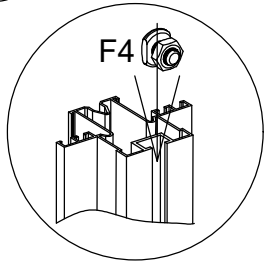
V x2



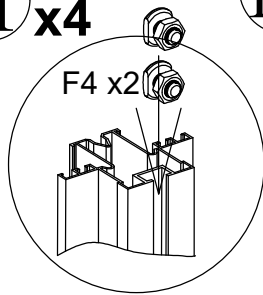




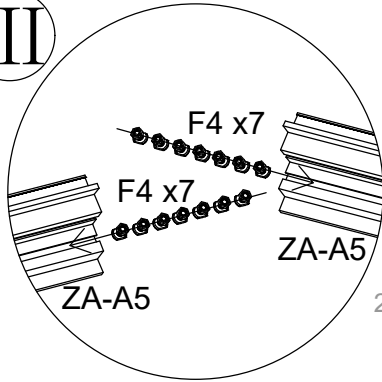
I x2



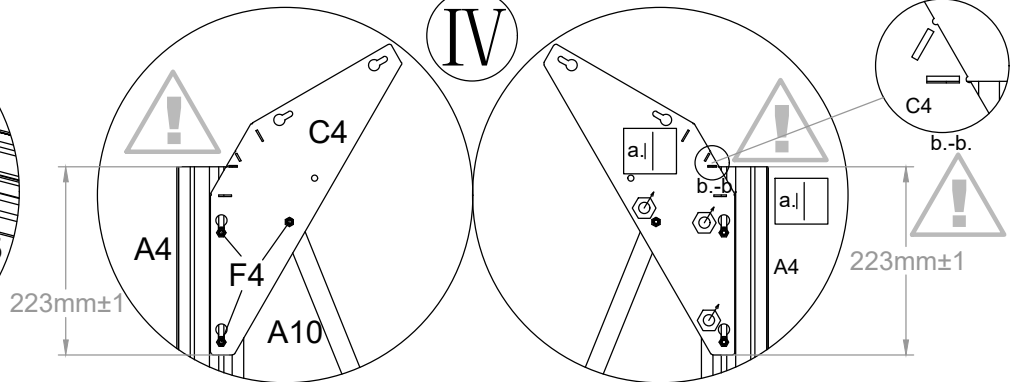
II x4



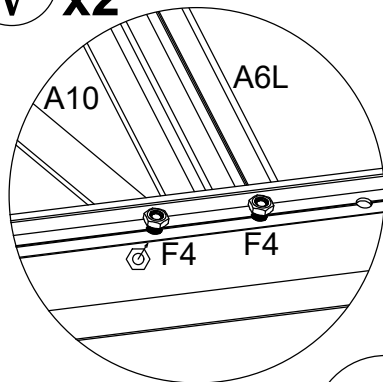
III



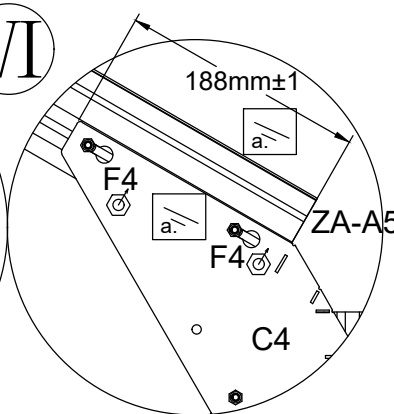
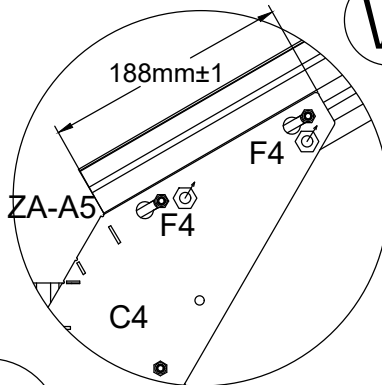
IV



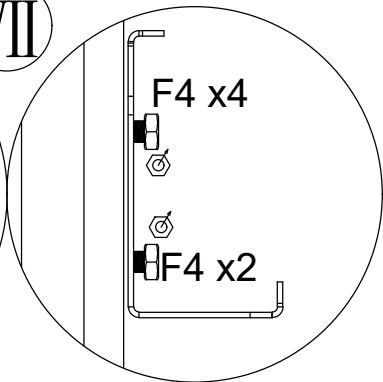
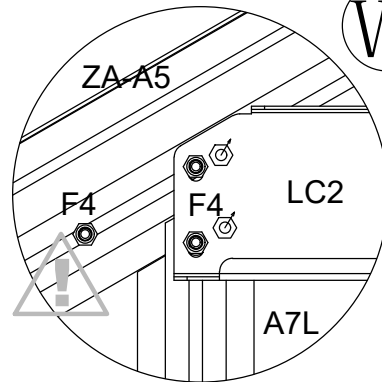
V x2



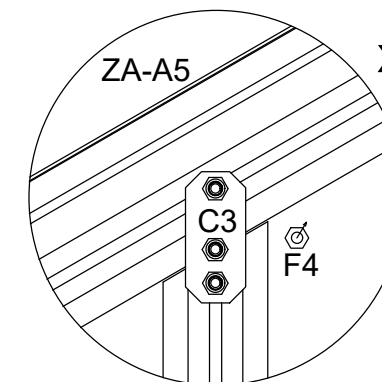
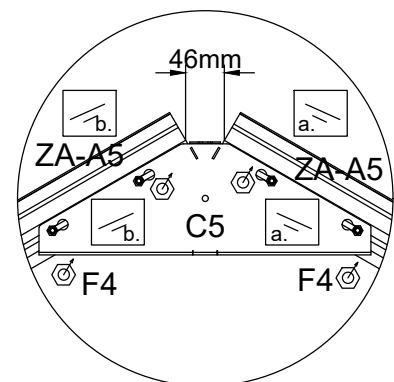
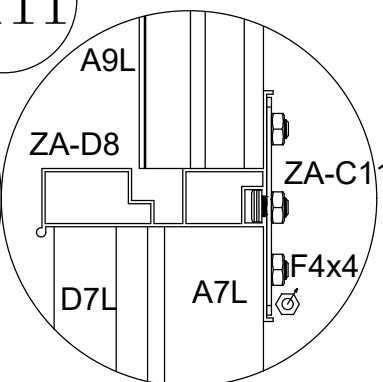
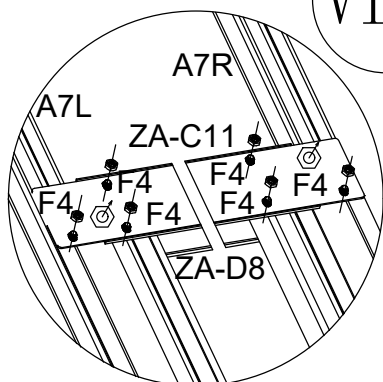
VI



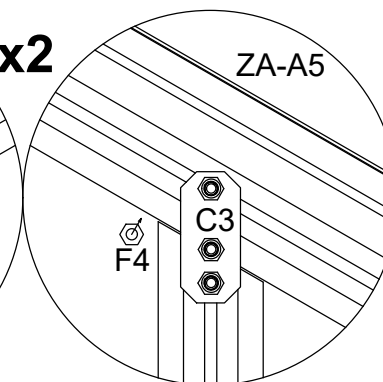
VII

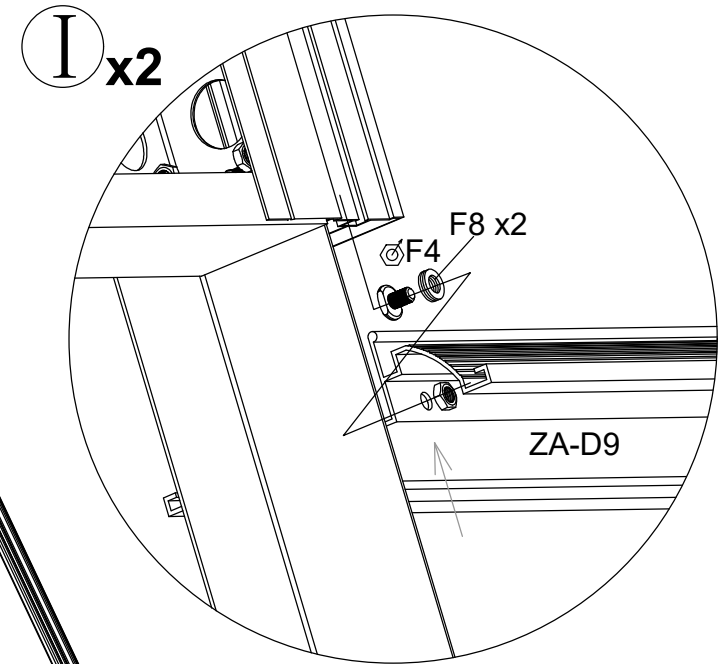
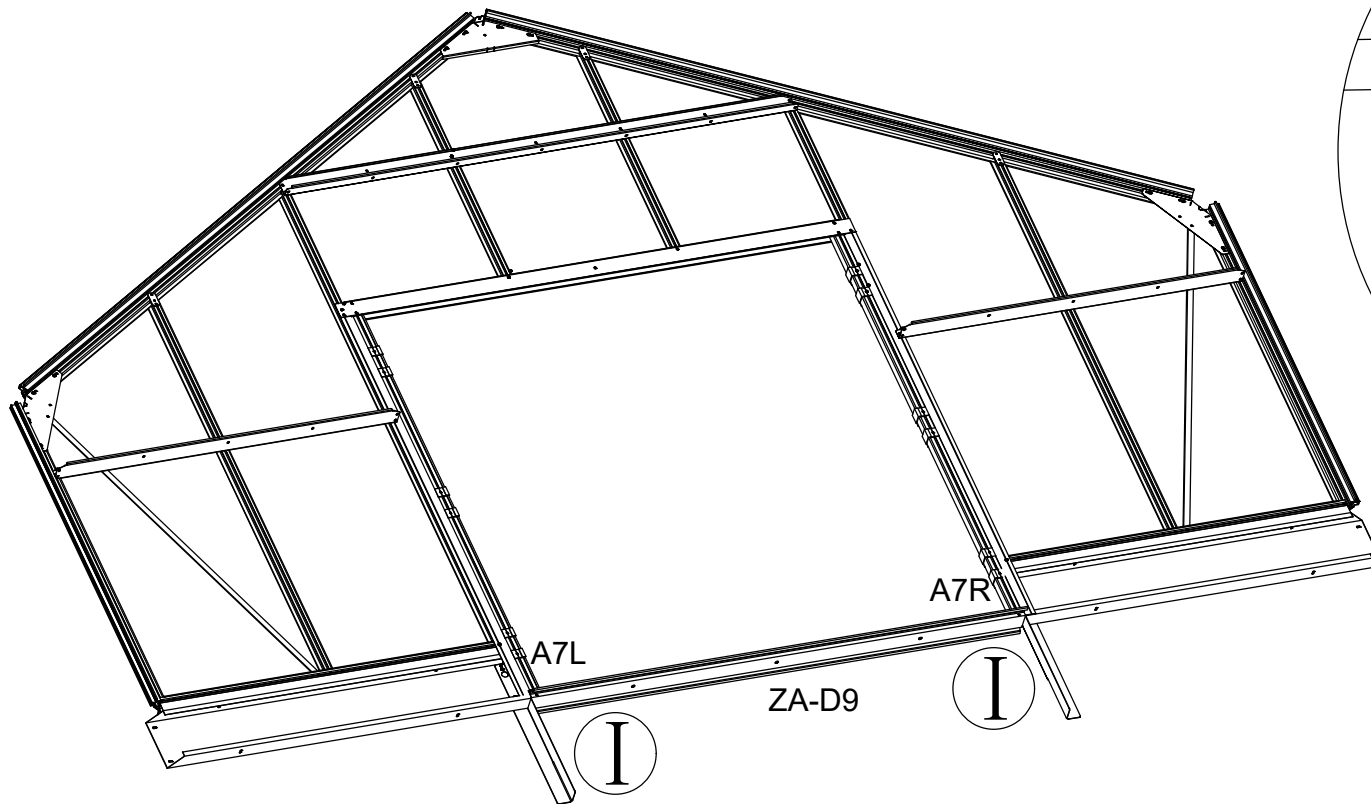
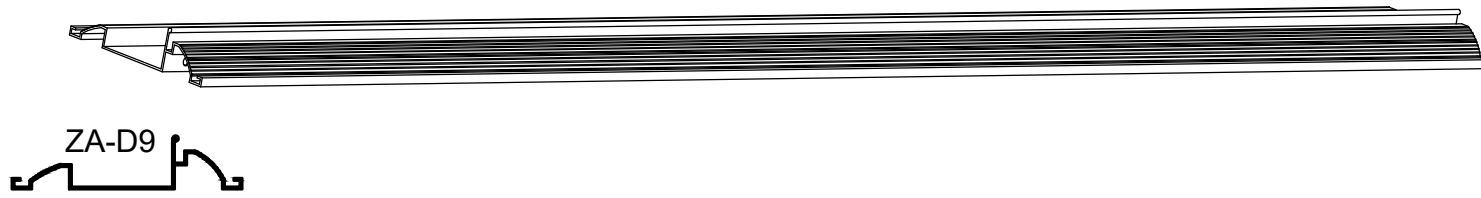


VIII

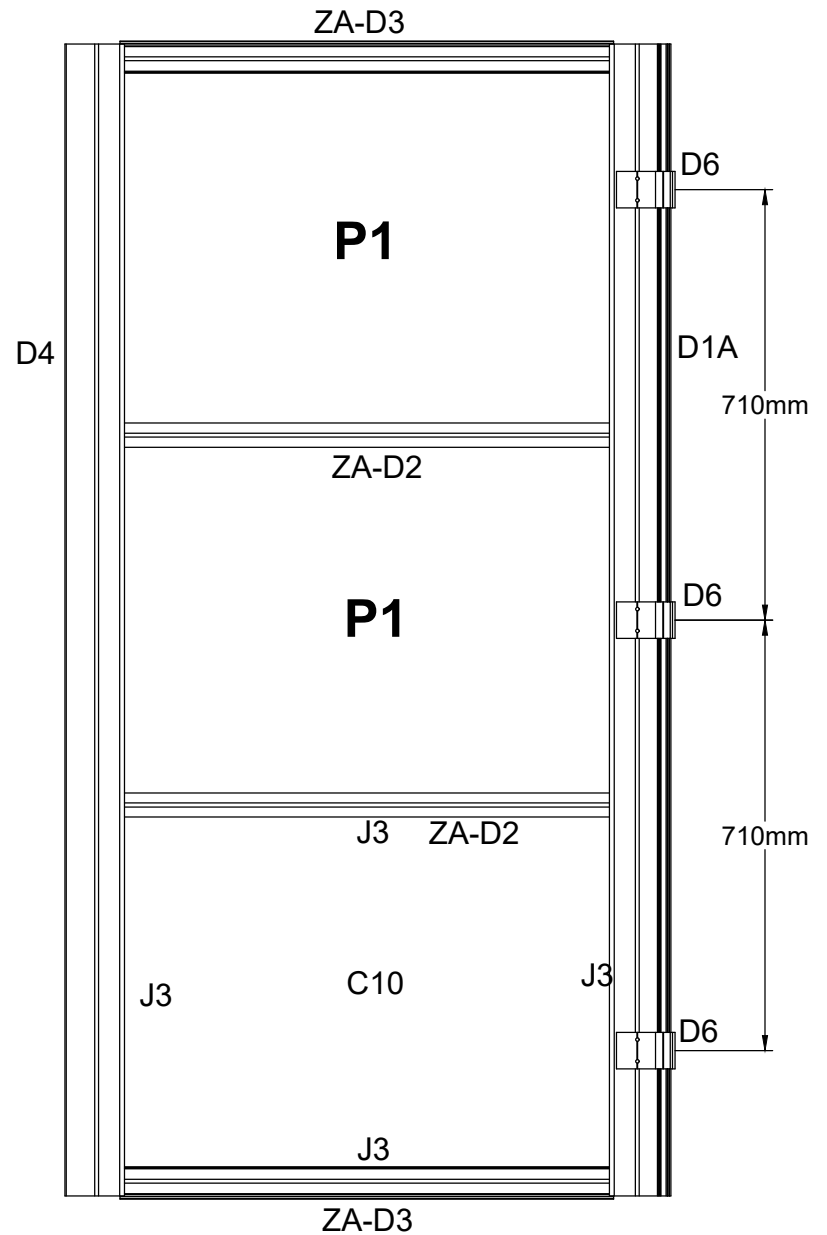
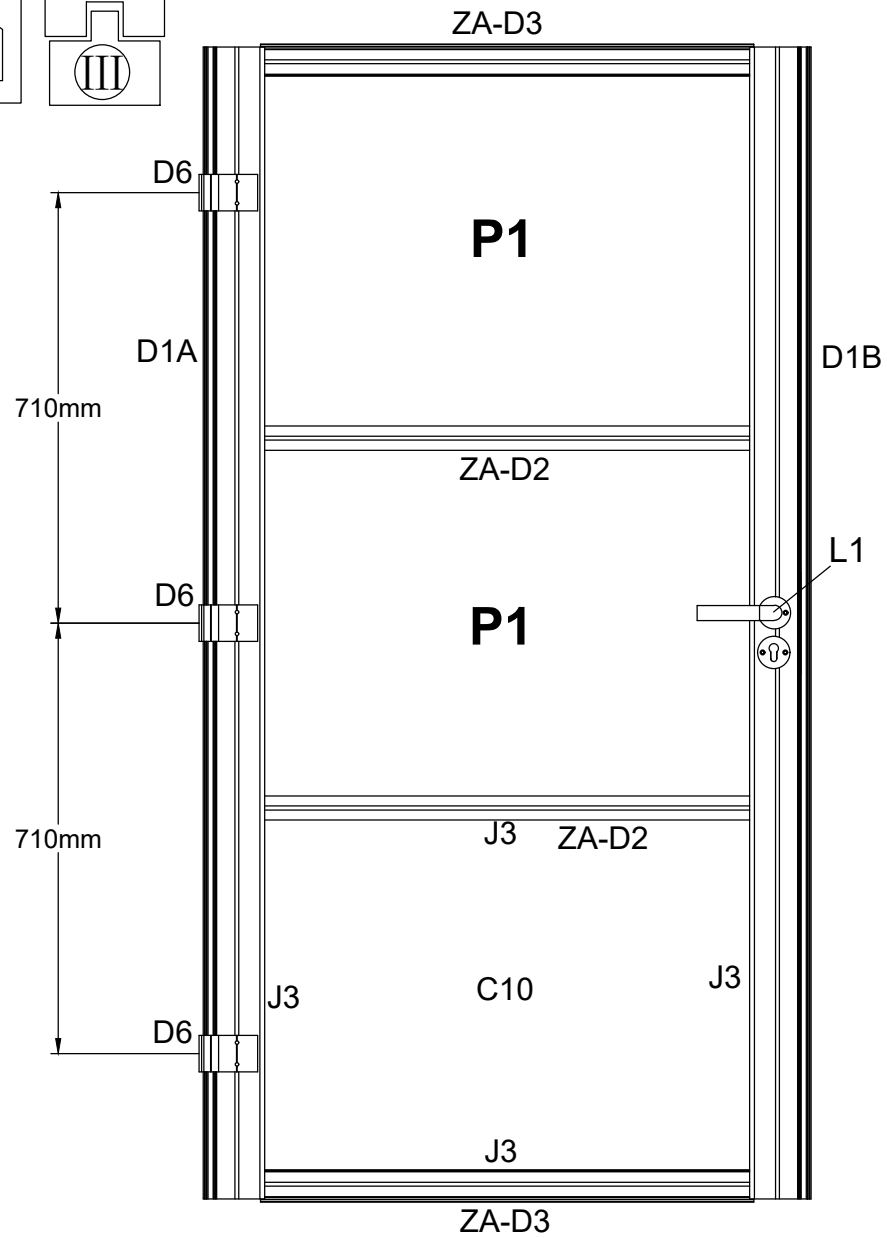
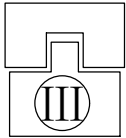
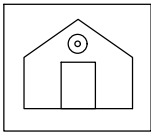


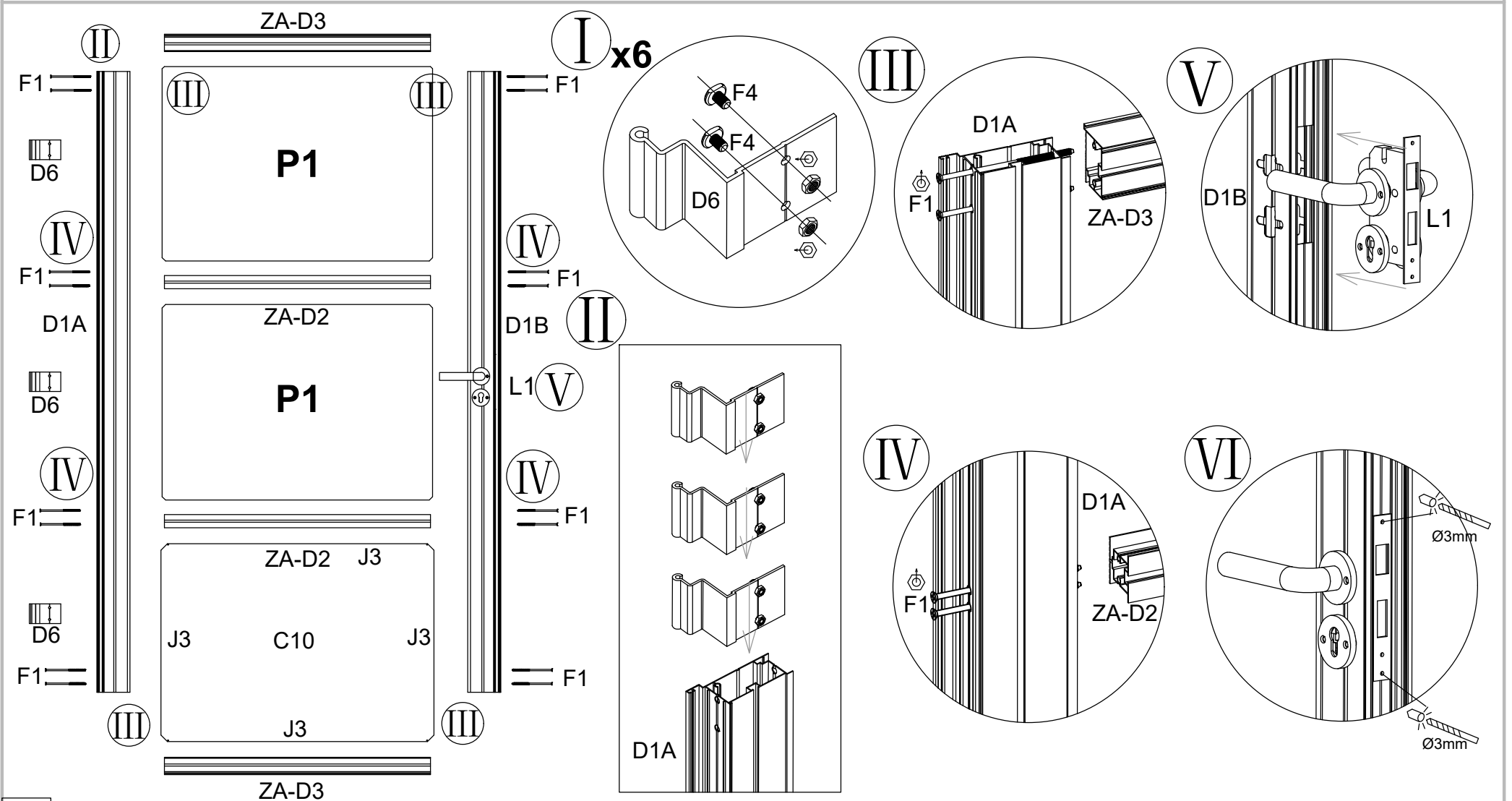
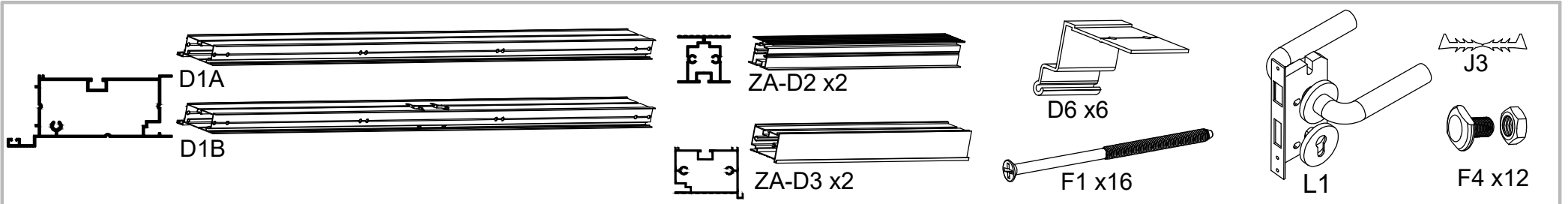
x2

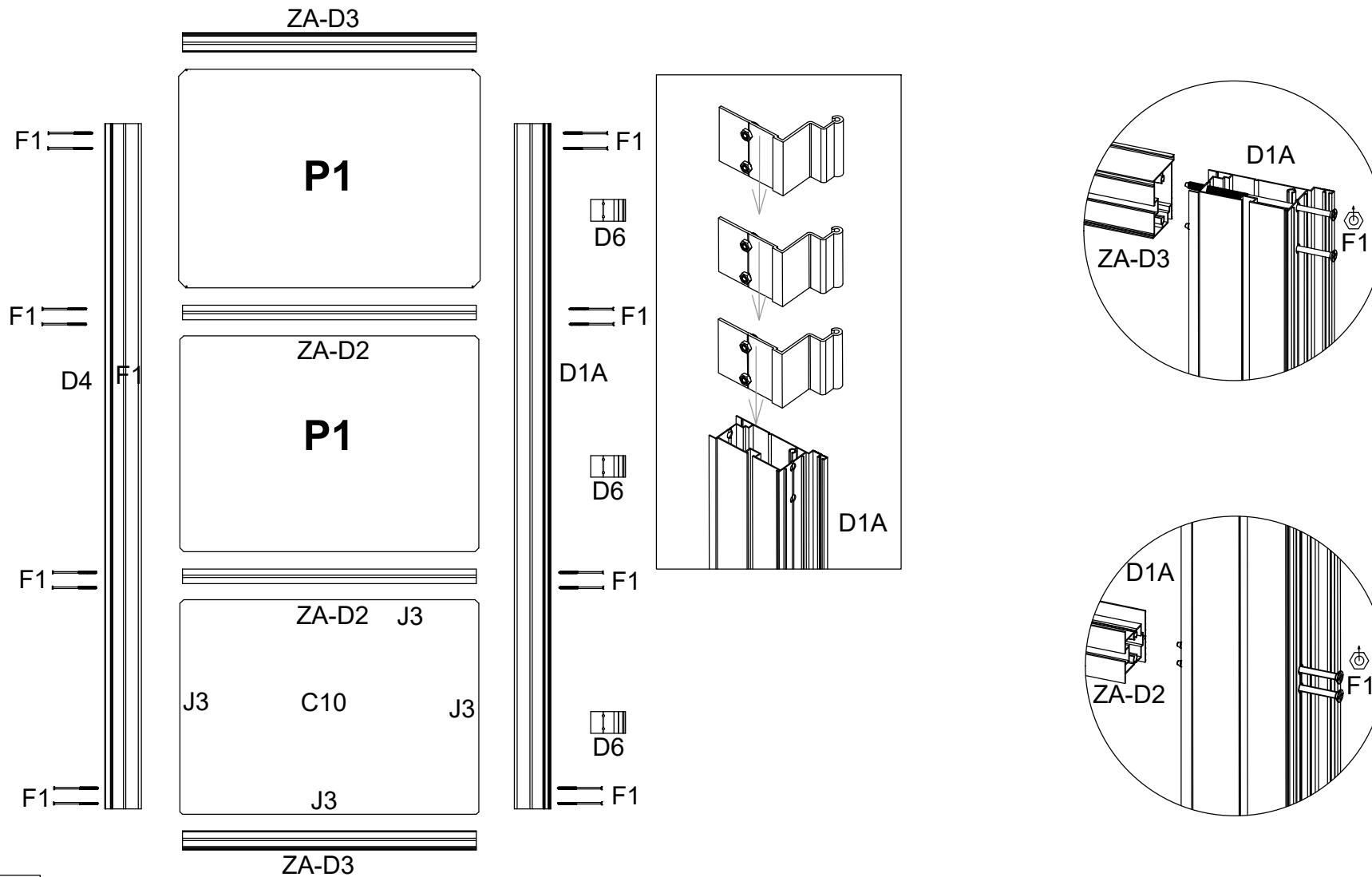
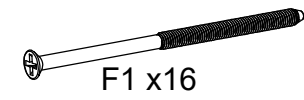
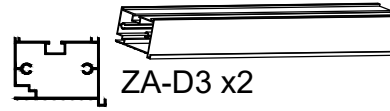
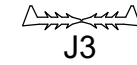
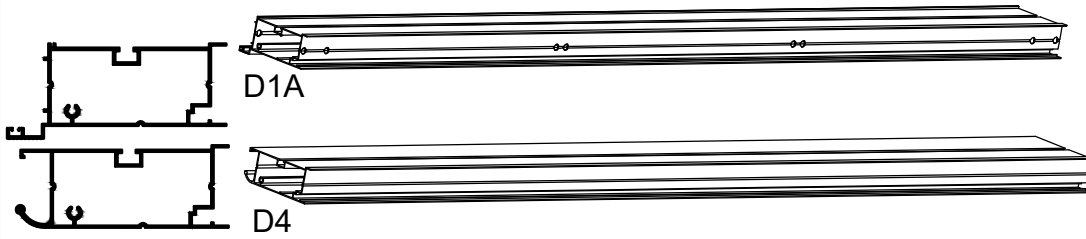




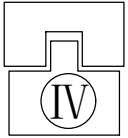
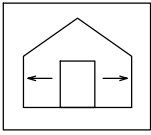
Door



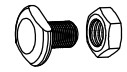




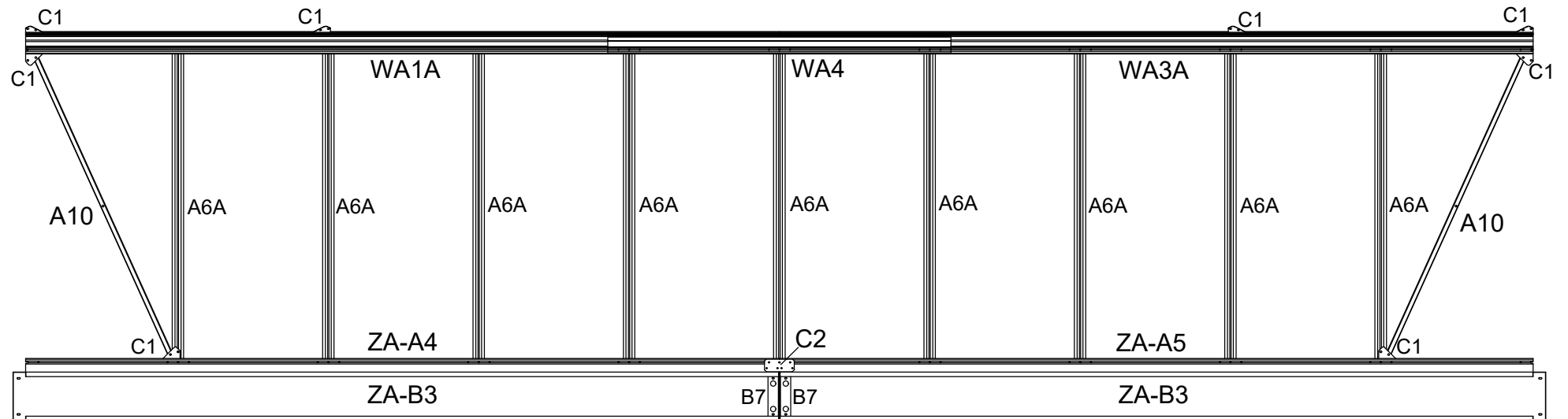
Left and right walls

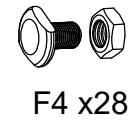
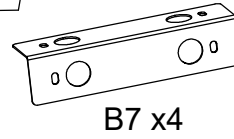
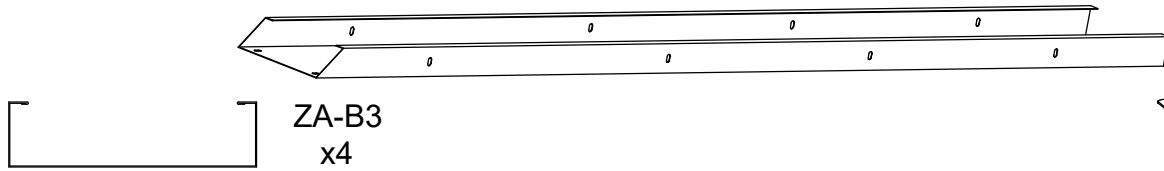


x2

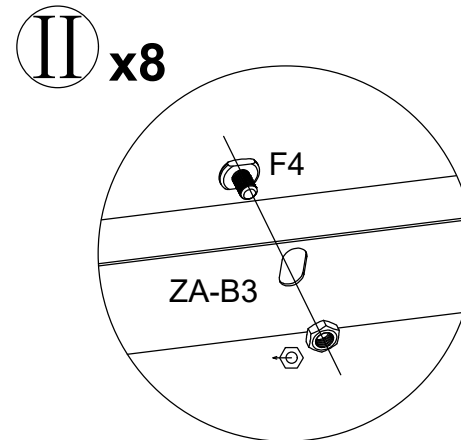
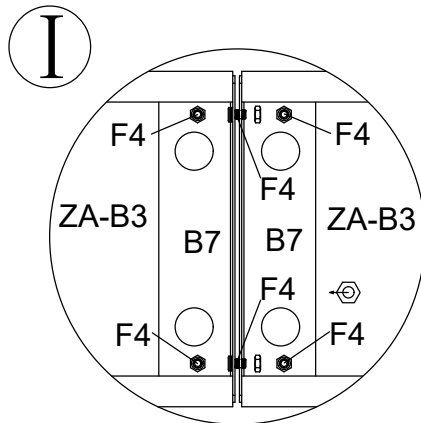
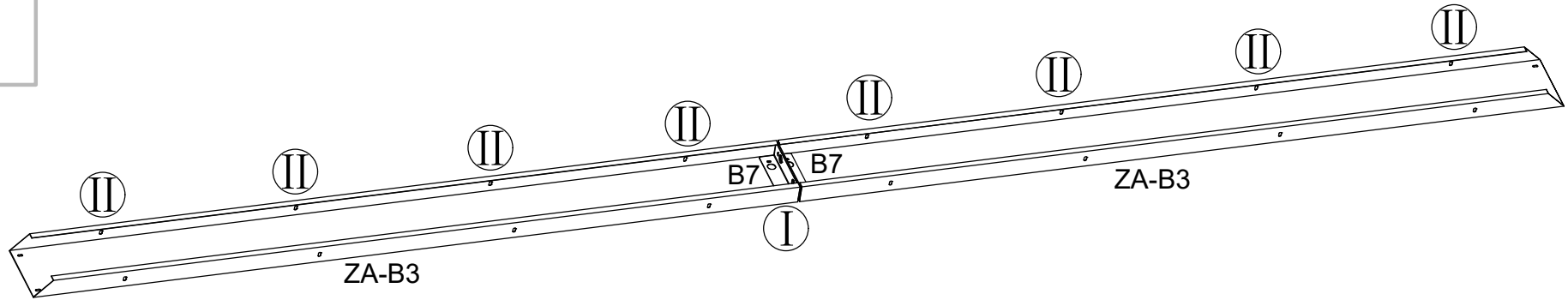


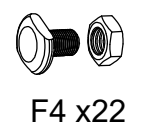
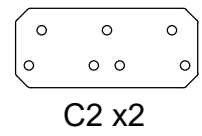
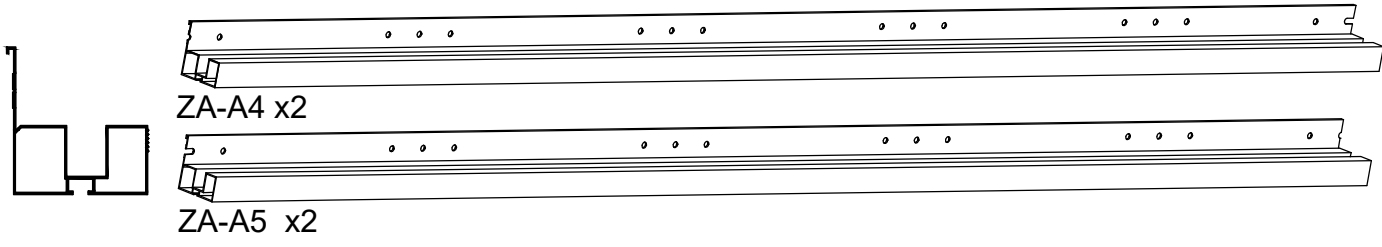
F4 x150



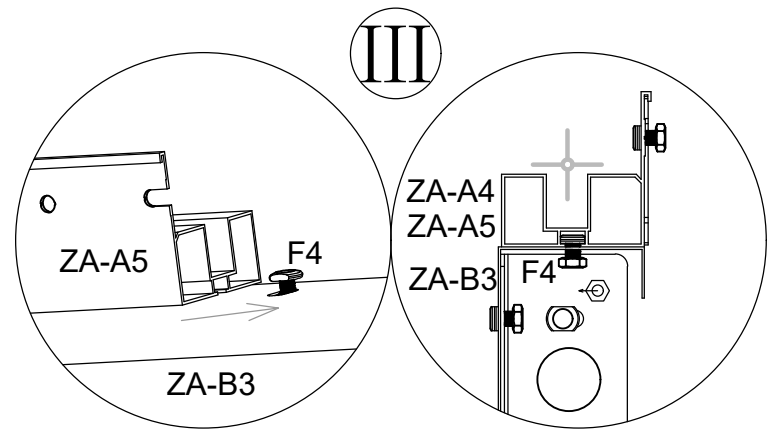
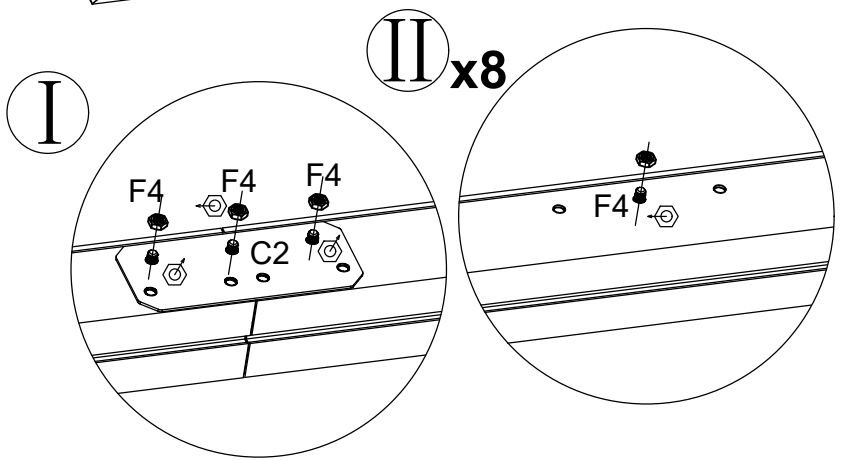
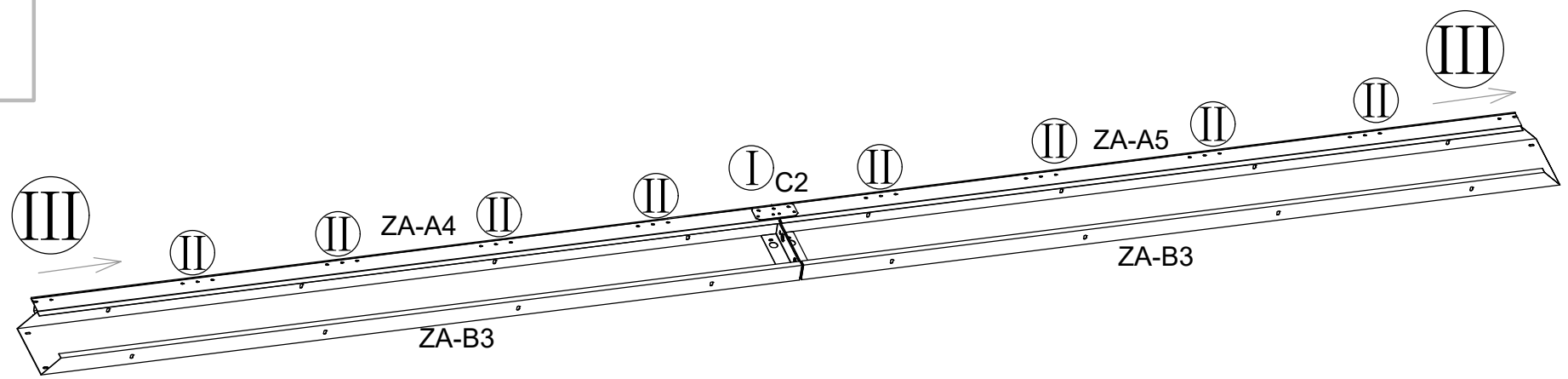


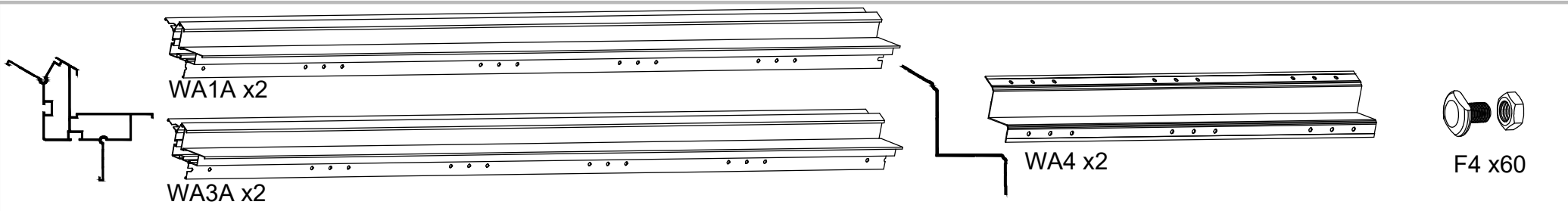
x2



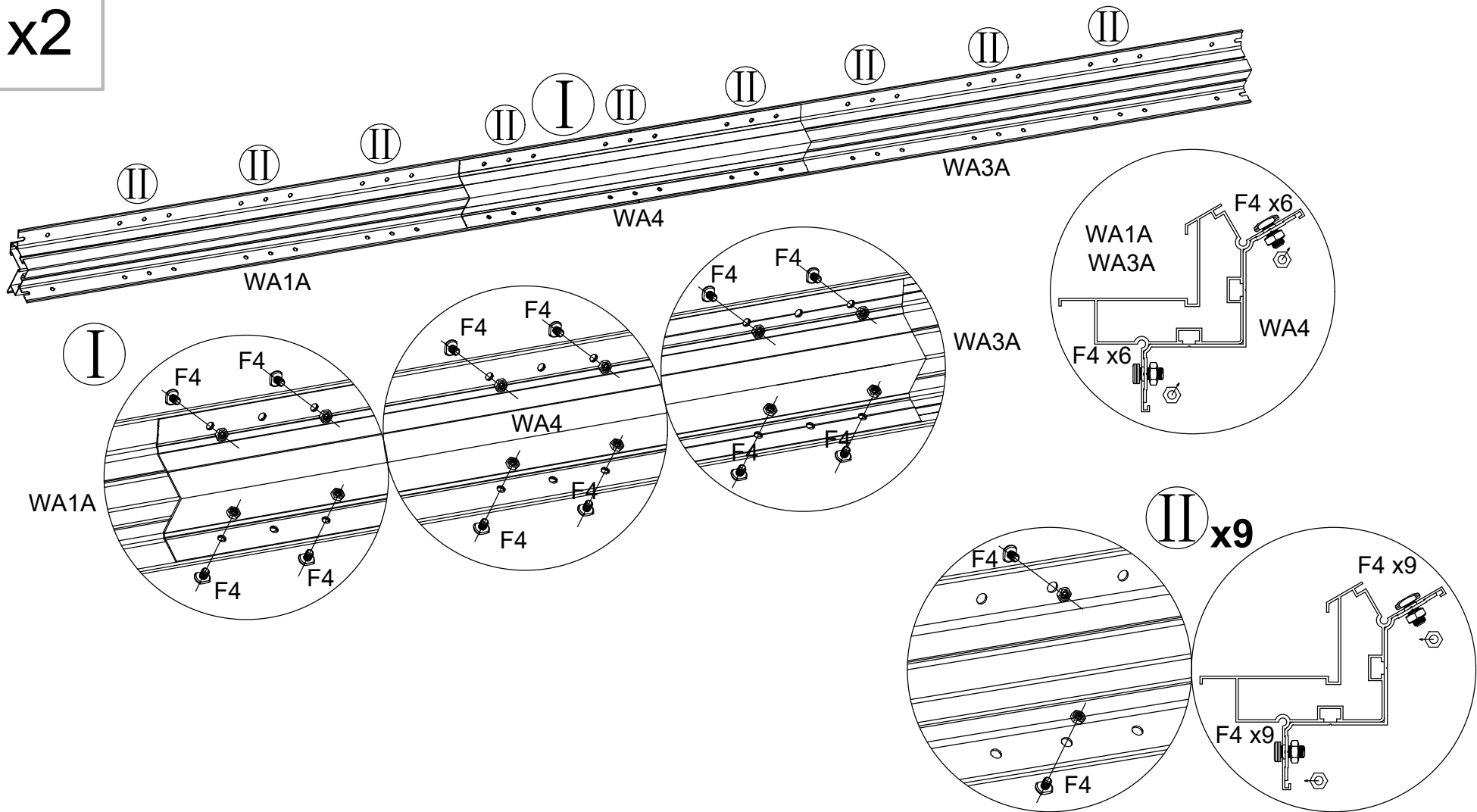


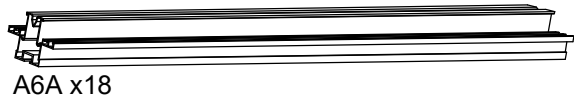
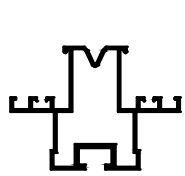
x2





x2

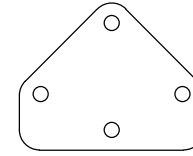




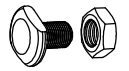
A6A x18



A10 x4

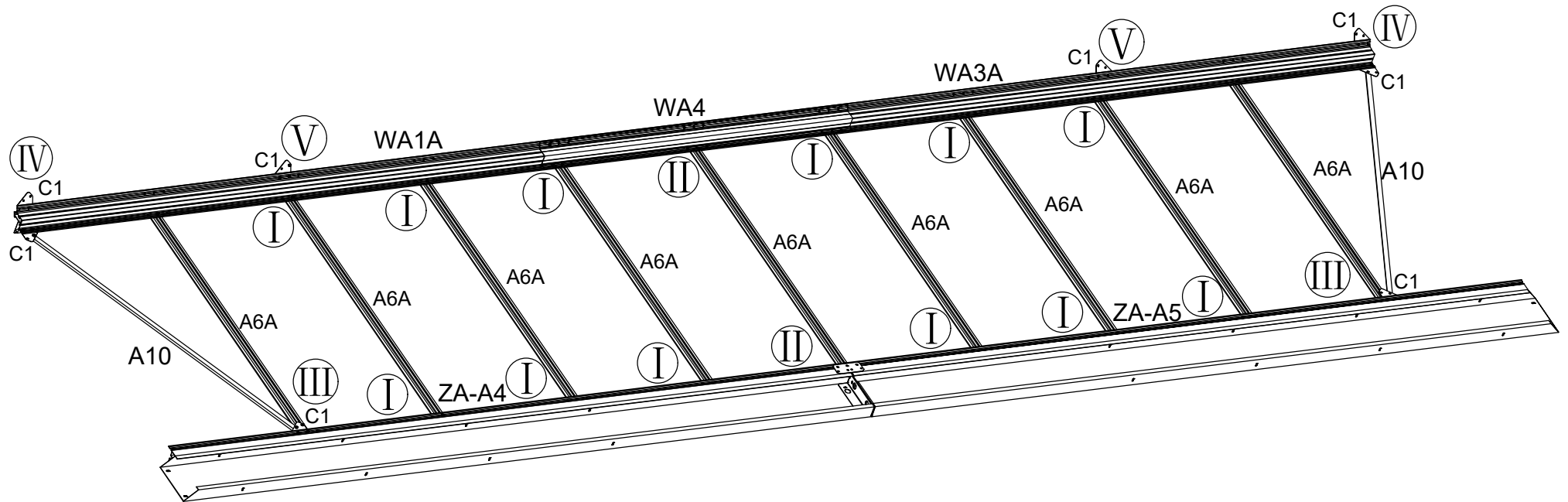


C1 x16

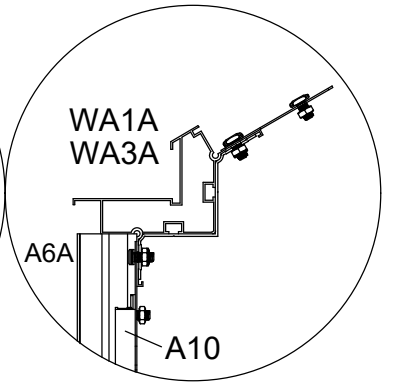
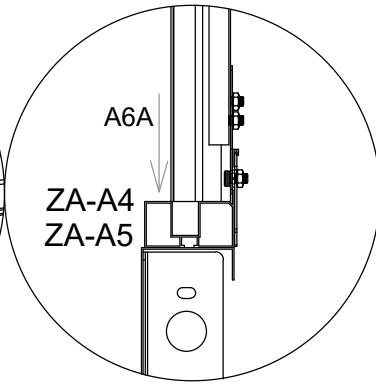
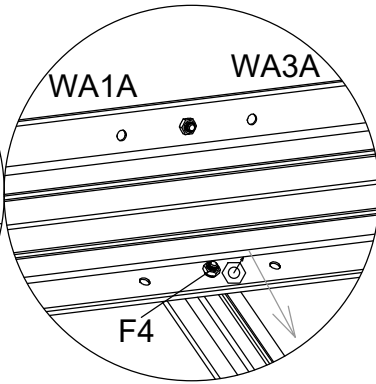
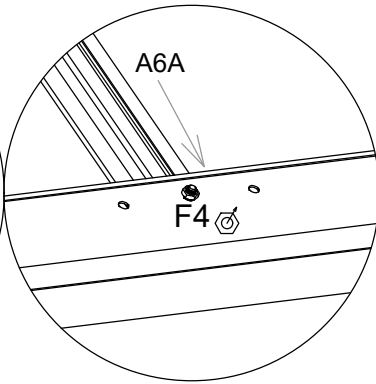
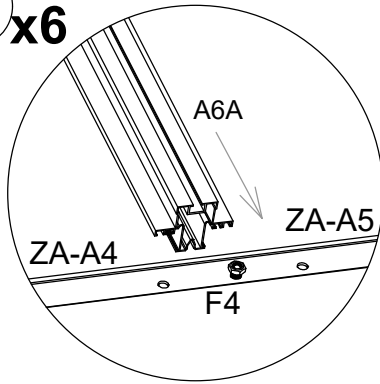


F4 x40

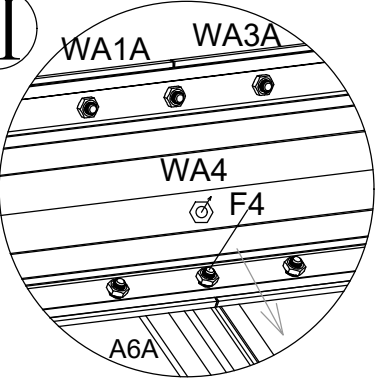
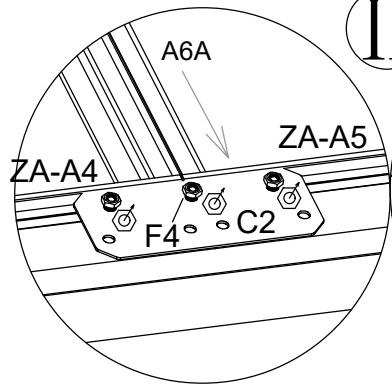
x2



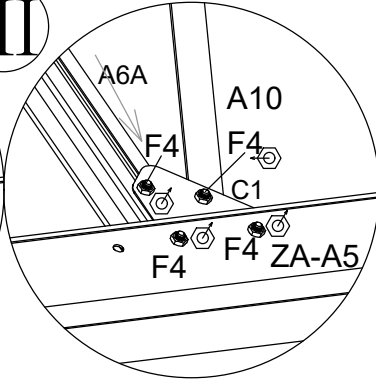
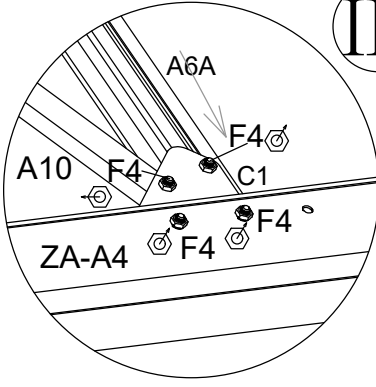
I x6



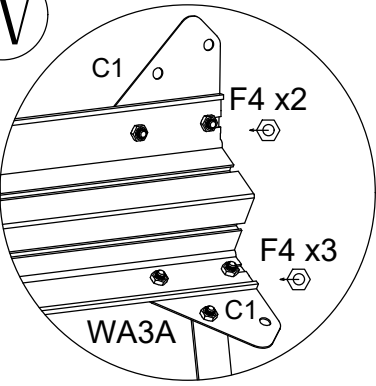
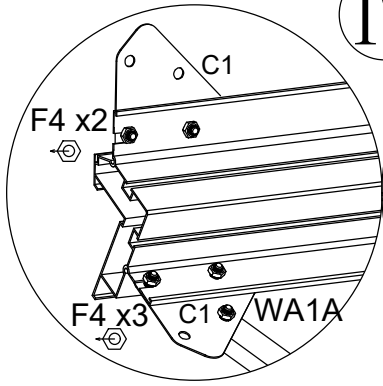
II



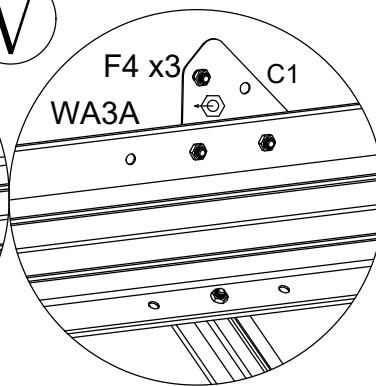
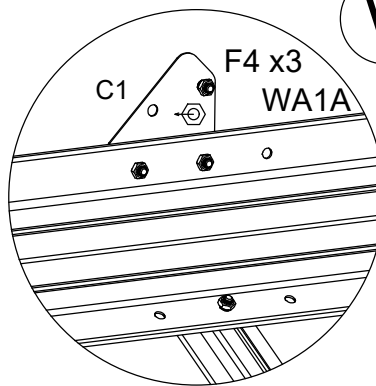
III



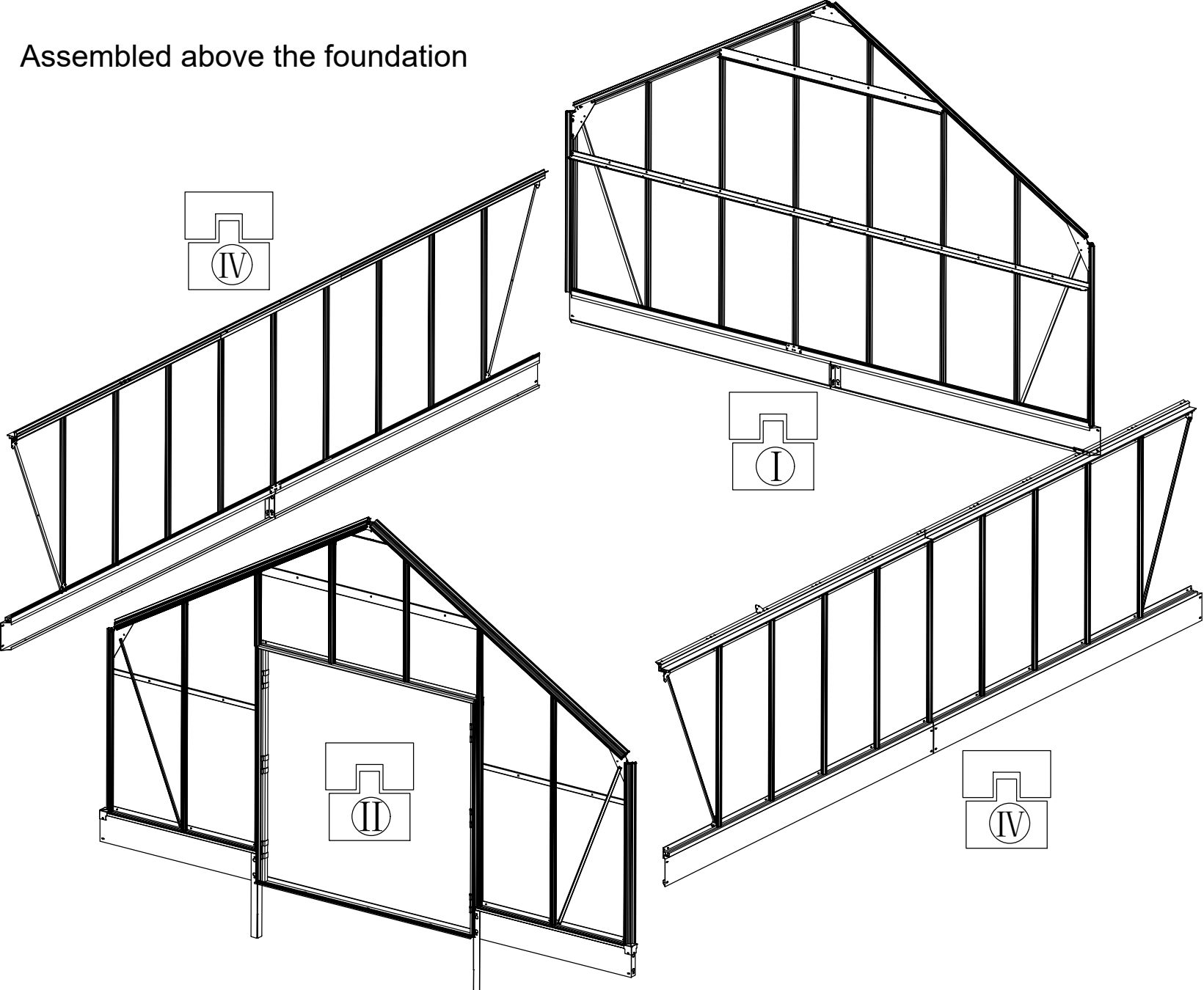
IV

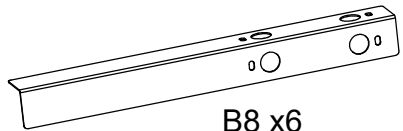


V

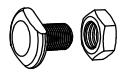


Assembled above the foundation





B8 x6

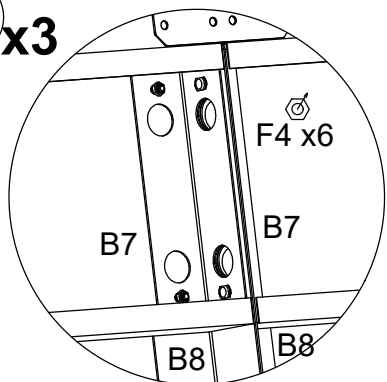


F4 x2



Wooden Mallet

I x3



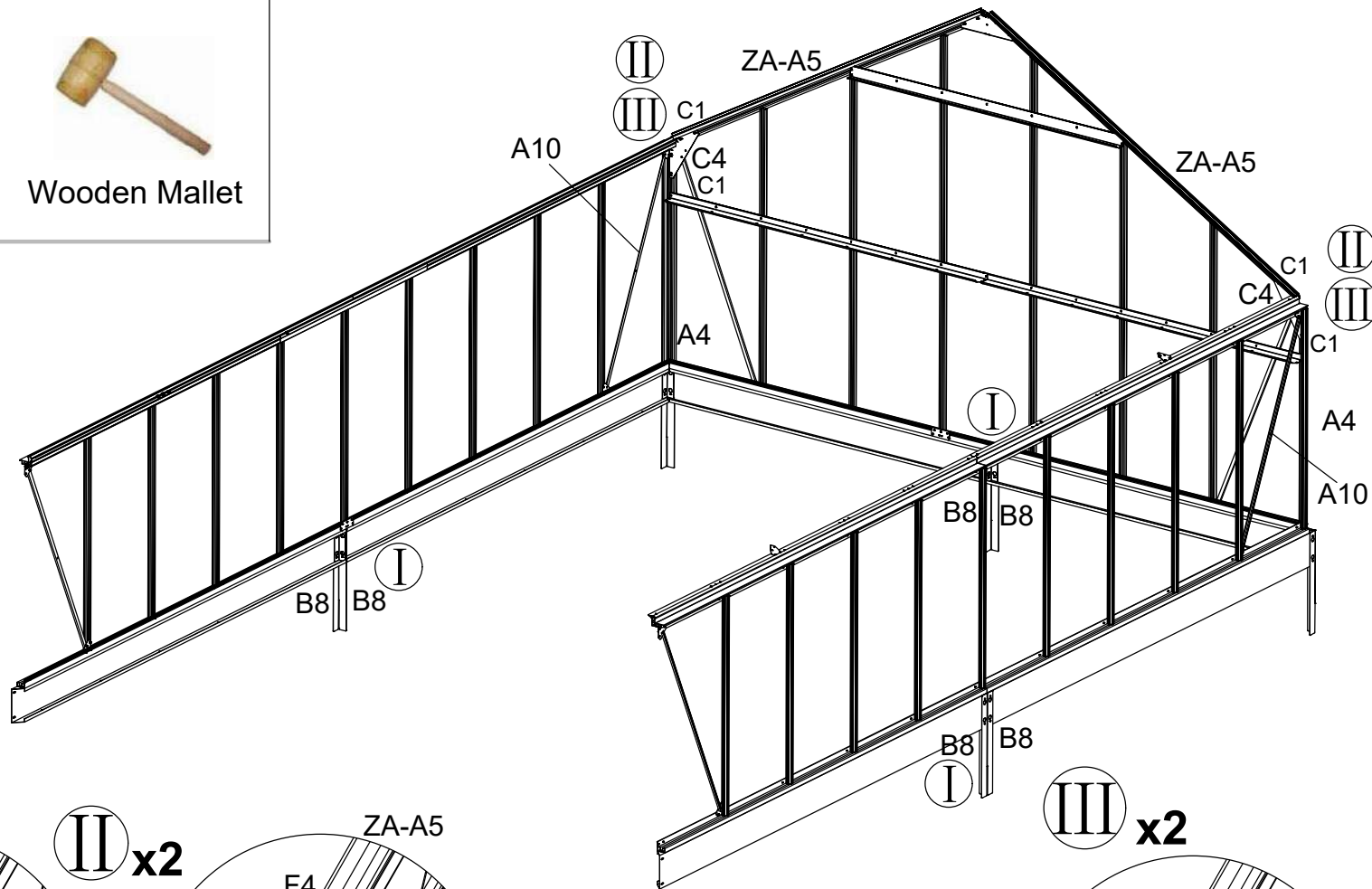
F4 x6

B7

B7

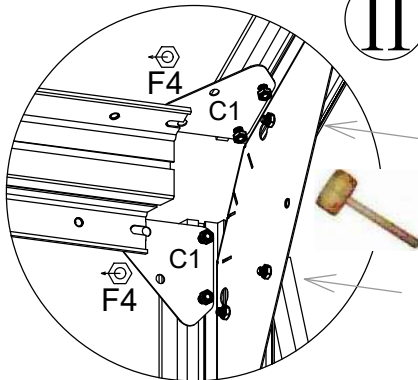
B8

B8



Remove C1

II x2

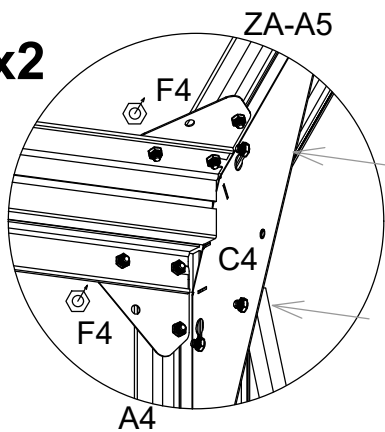


F4

C1

F4

C1



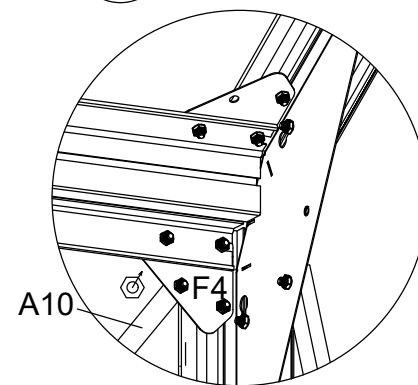
ZA-A5

F4

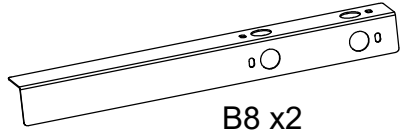
C4

A4

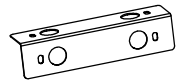
III x2



A10



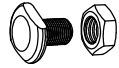
B8 x2



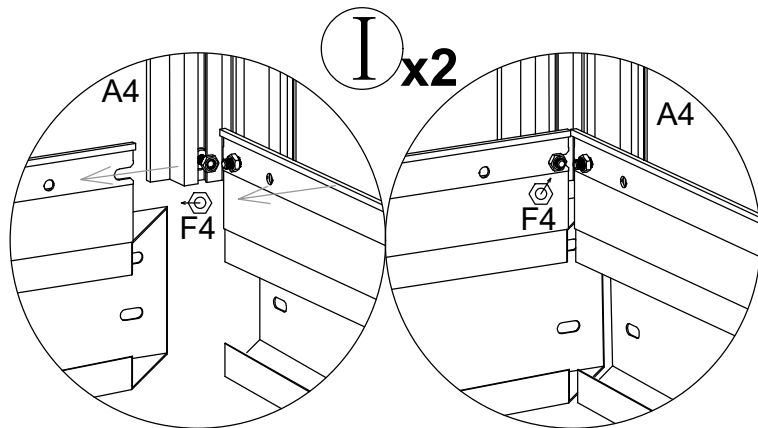
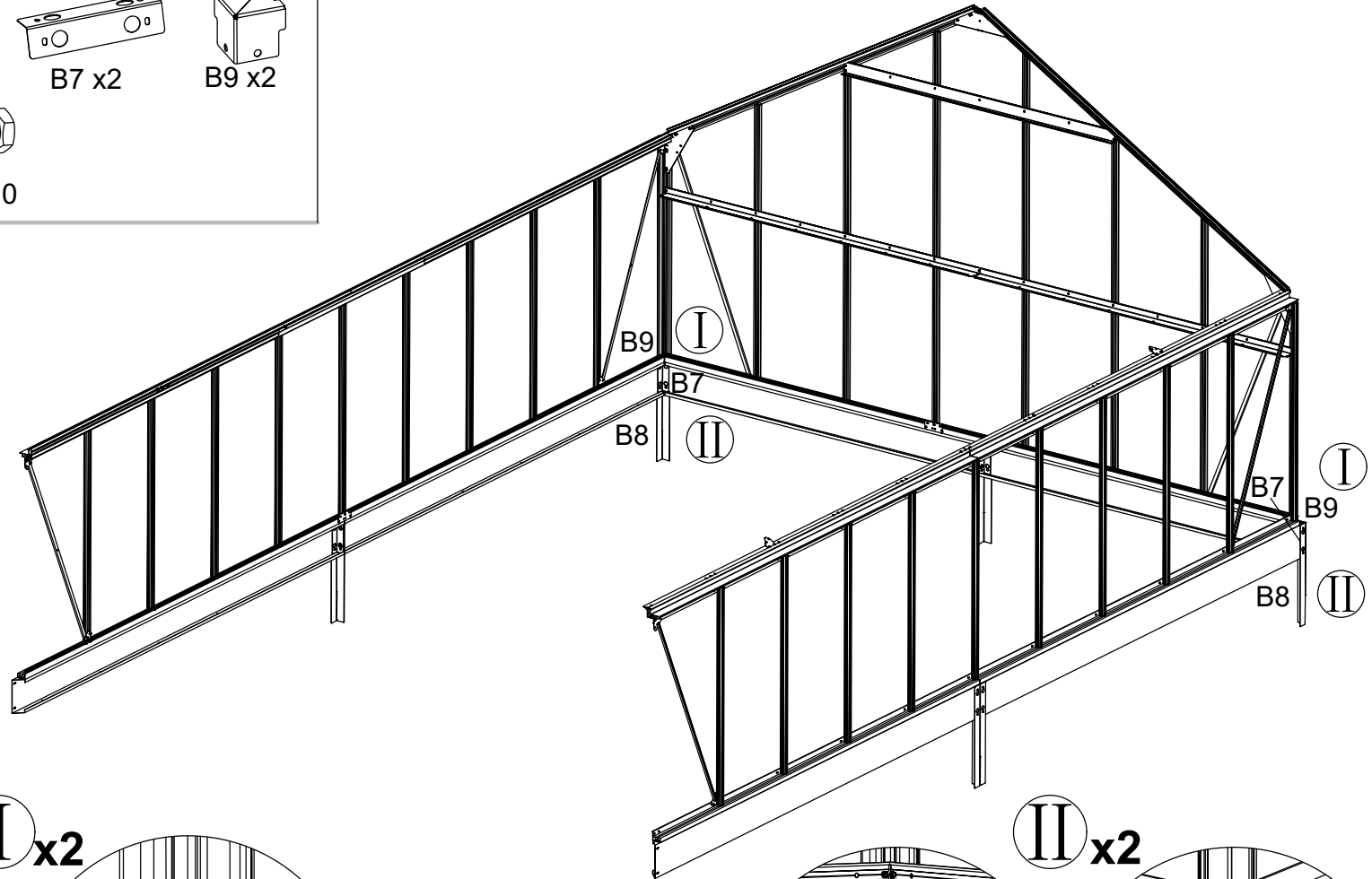
B7 x2



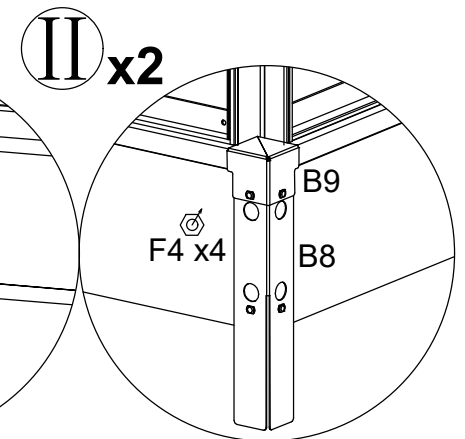
B9 x2



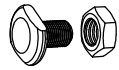
F4 x10



I x2



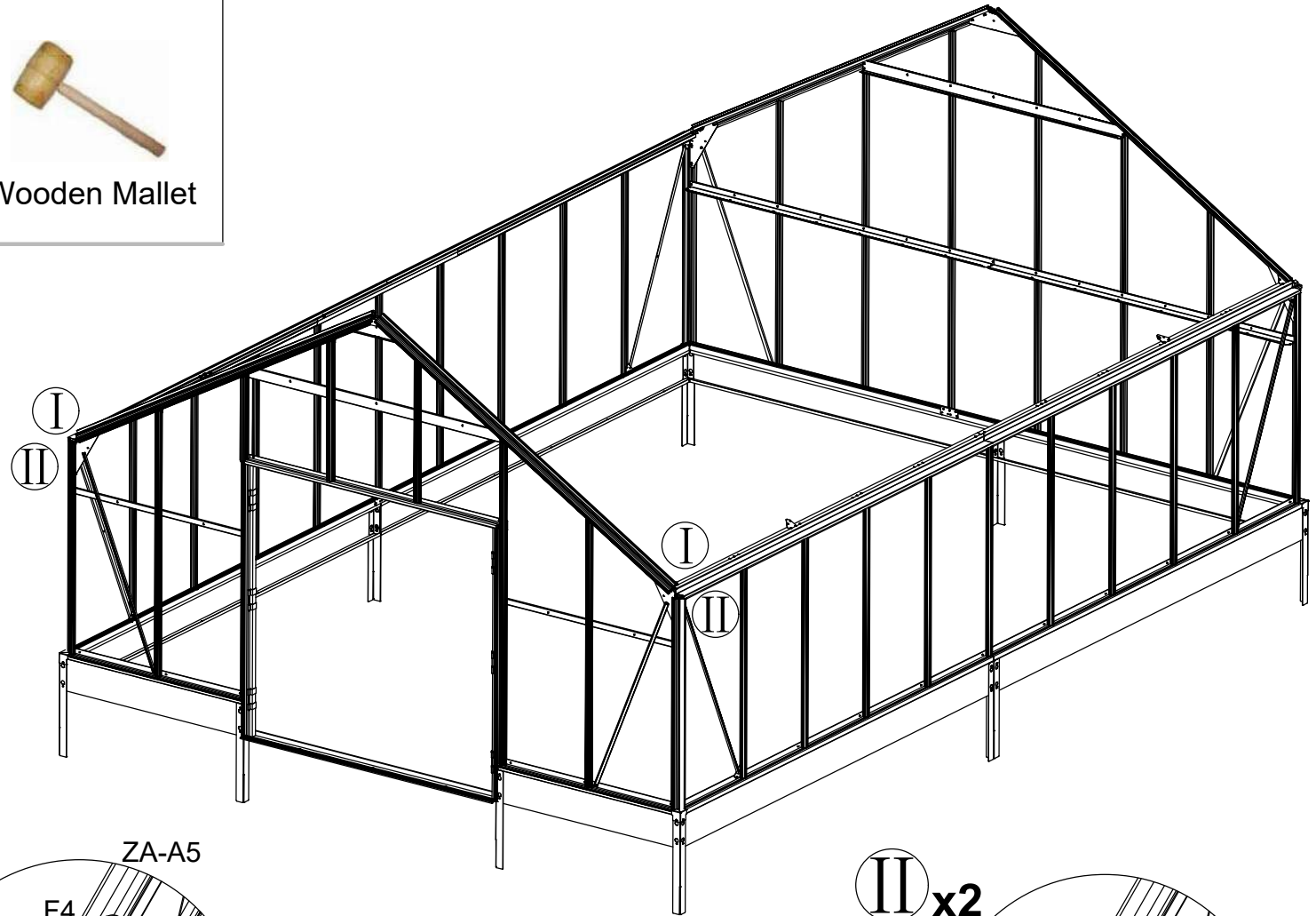
II x2



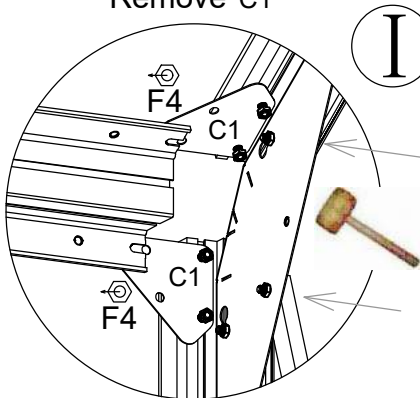
F4 x2



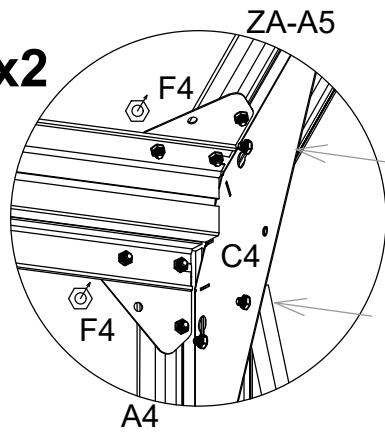
Wooden Mallet



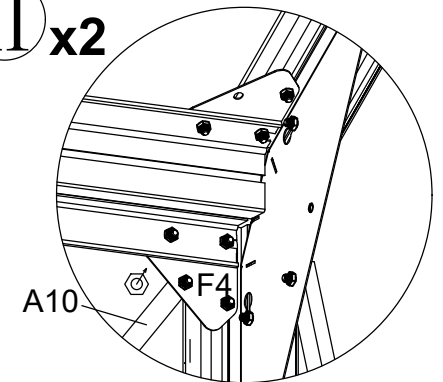
Remove C1

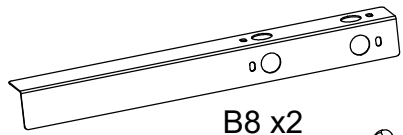


I x2

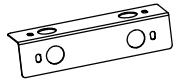


II x2





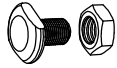
B8 x2



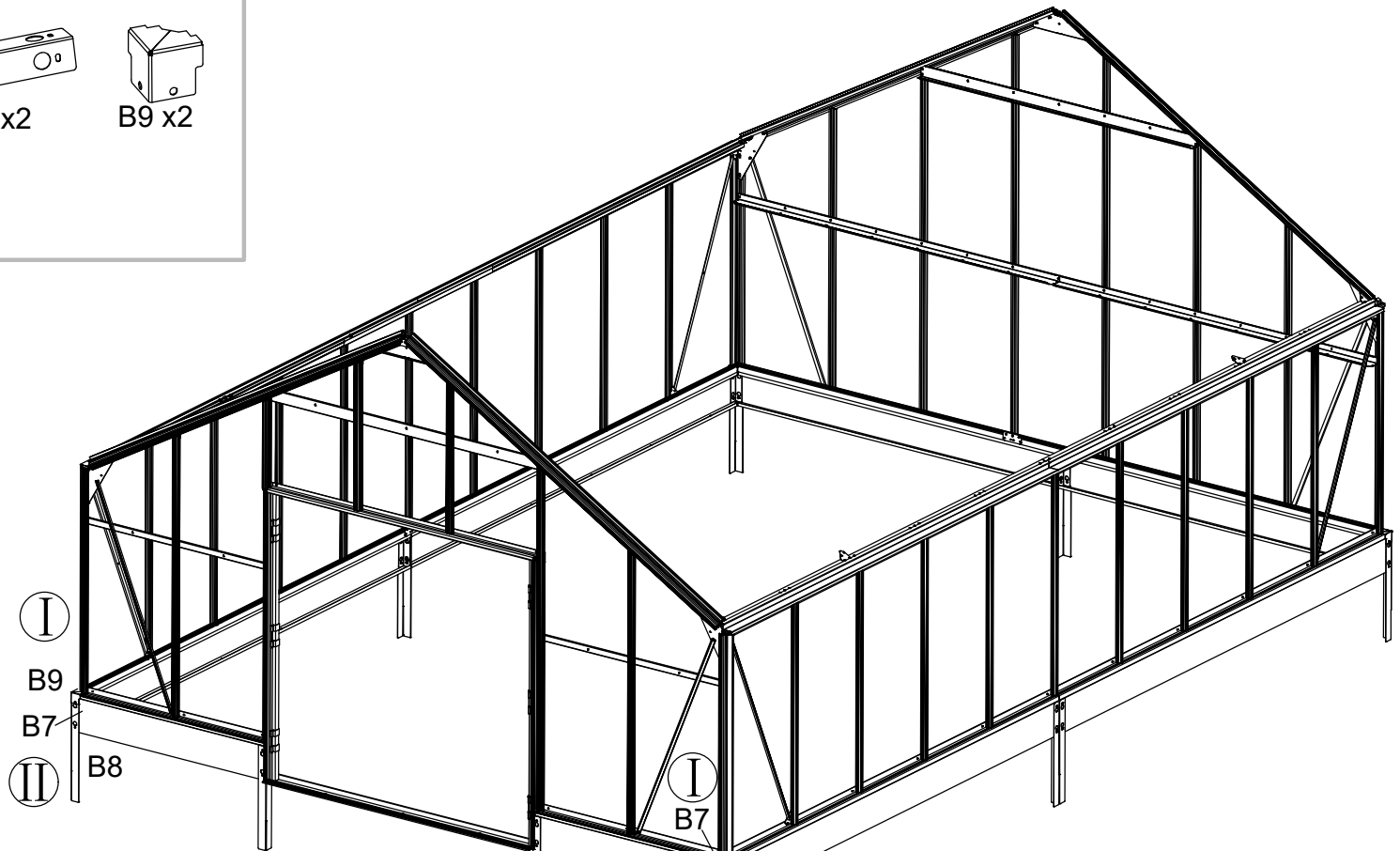
B7 x2



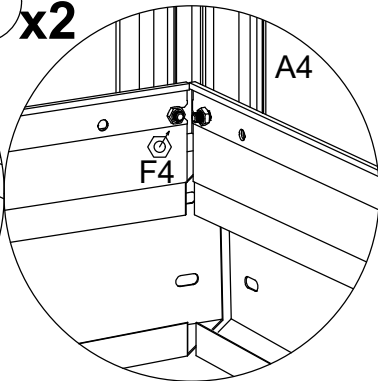
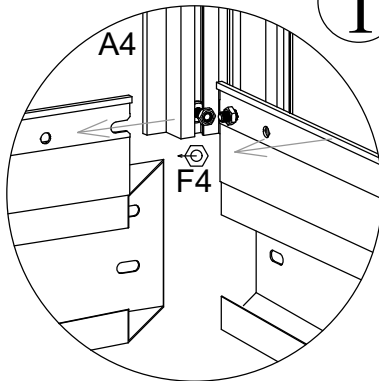
B9 x2



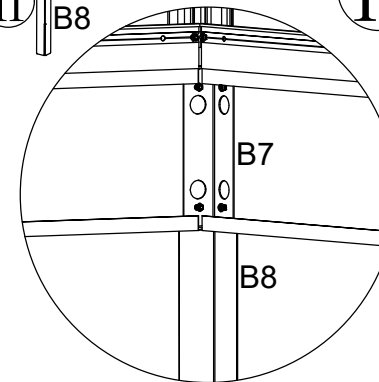
F4 x10



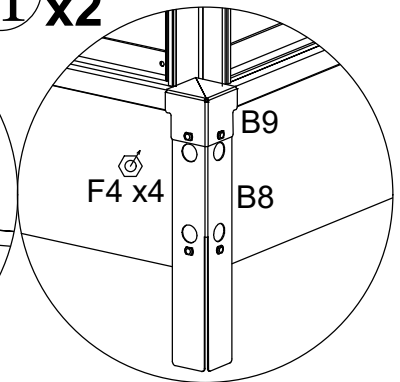
I x2



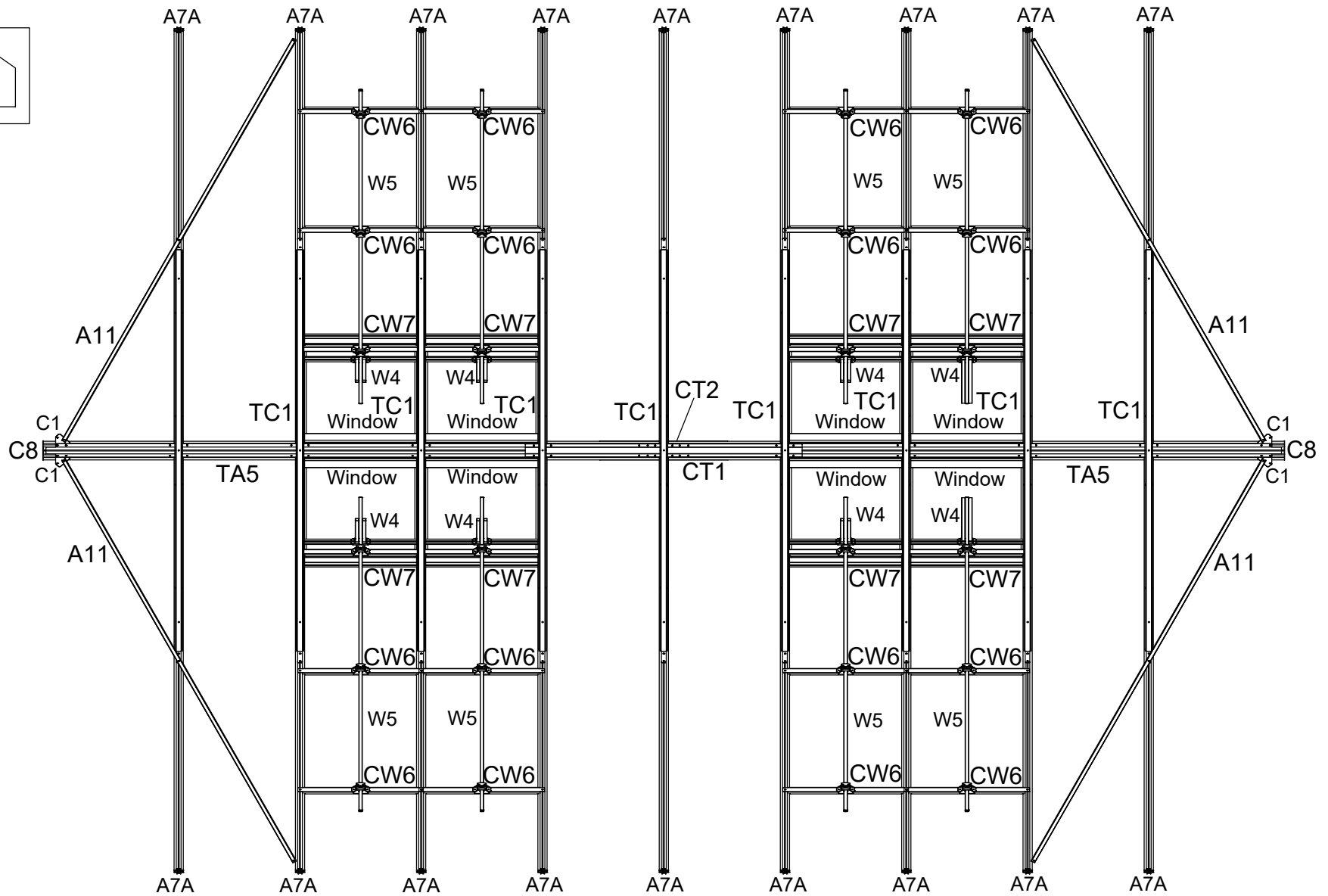
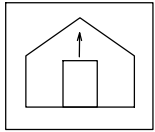
II B9
B8



II x2

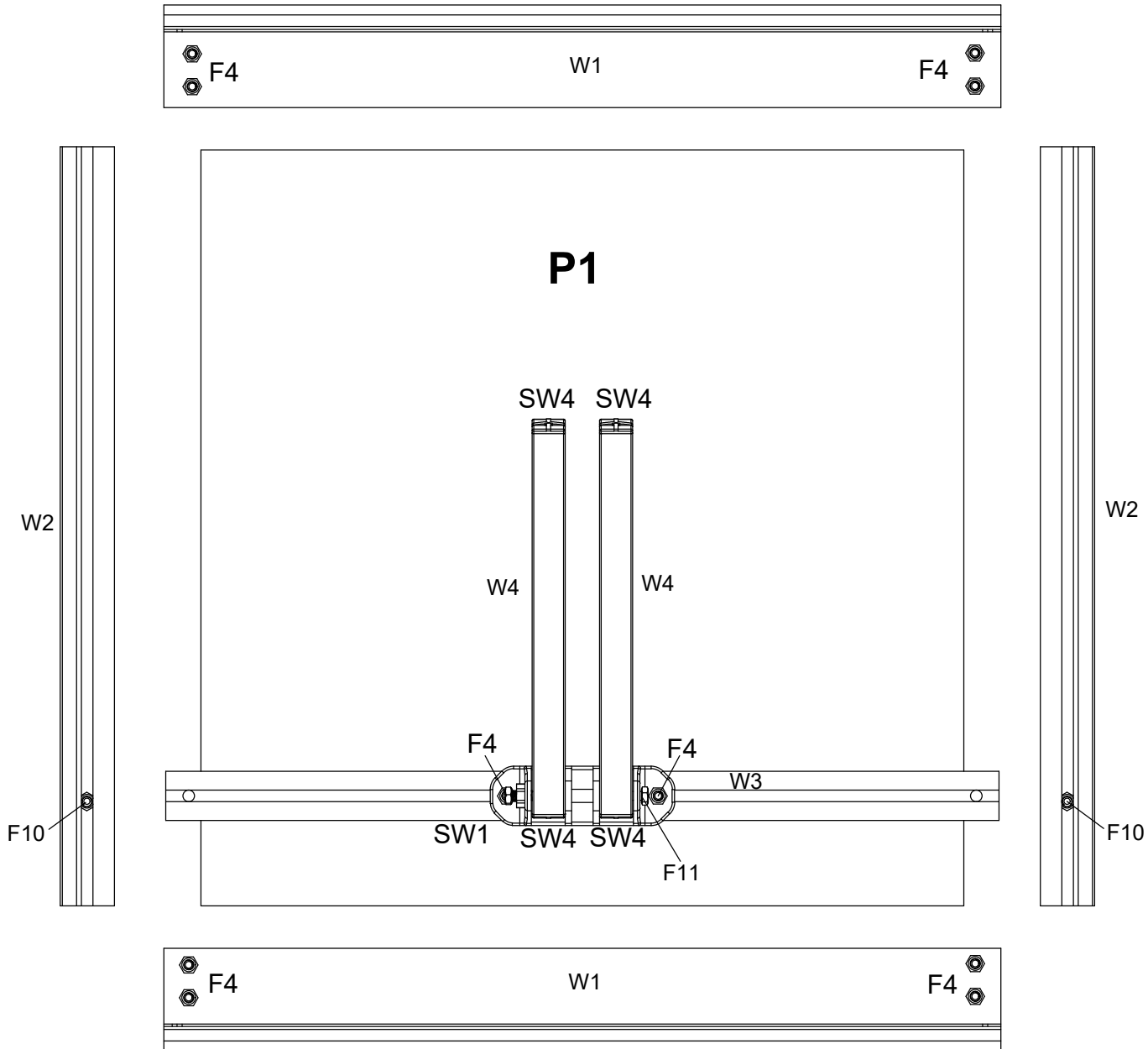


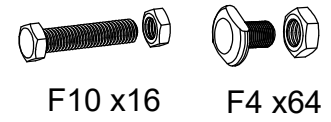
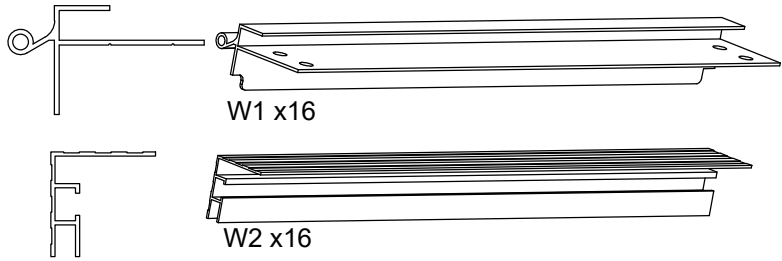
Top



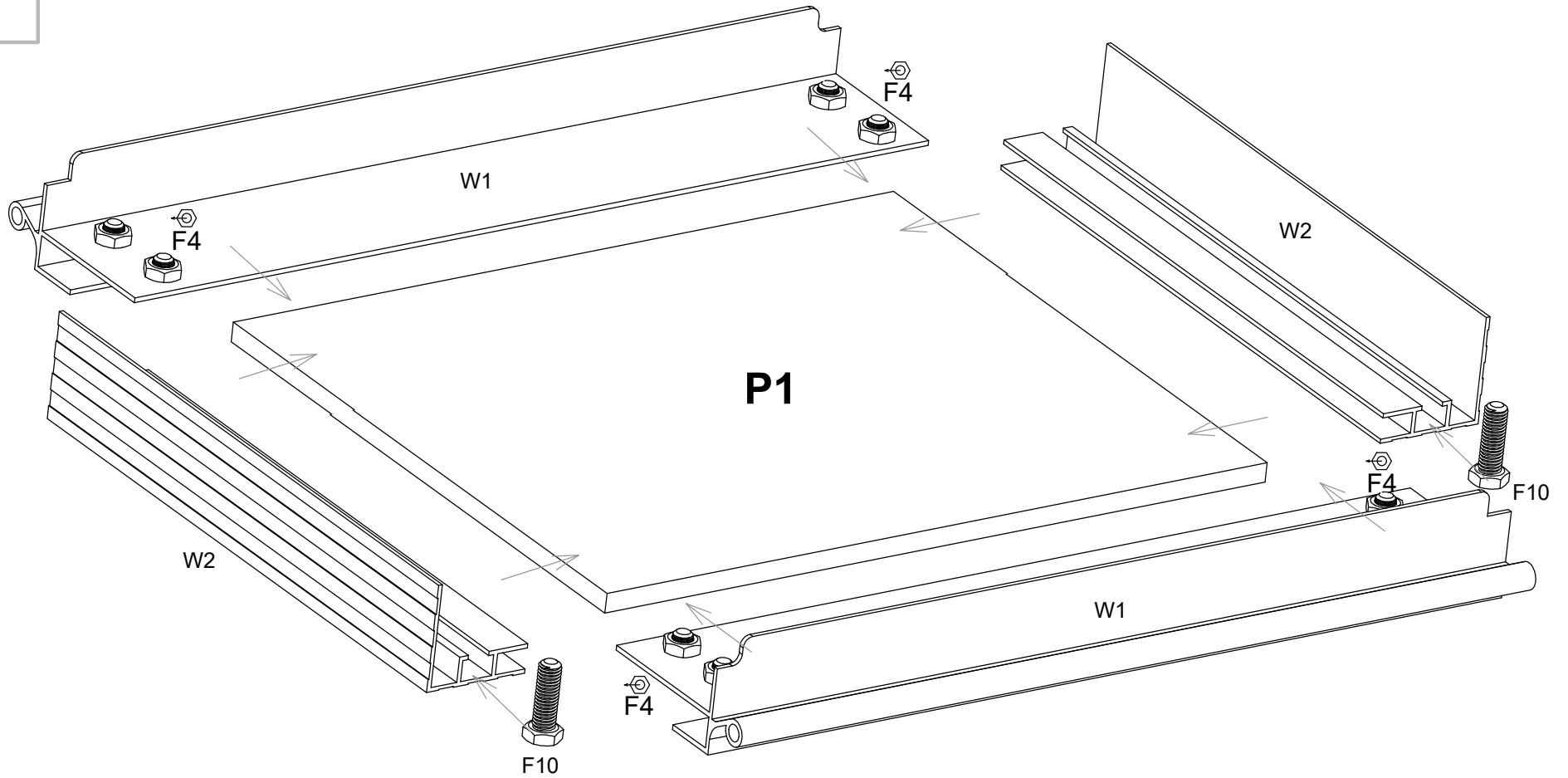
Window

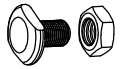
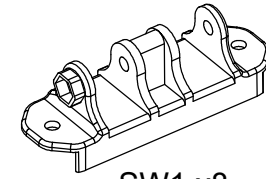
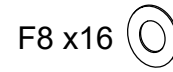
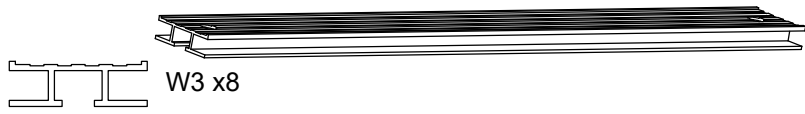
x8



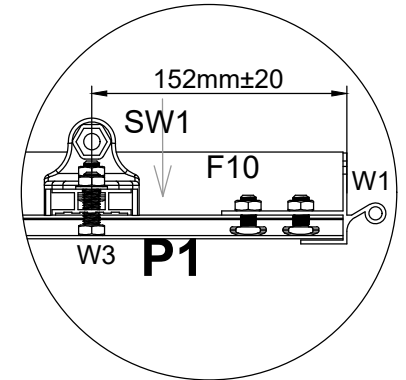
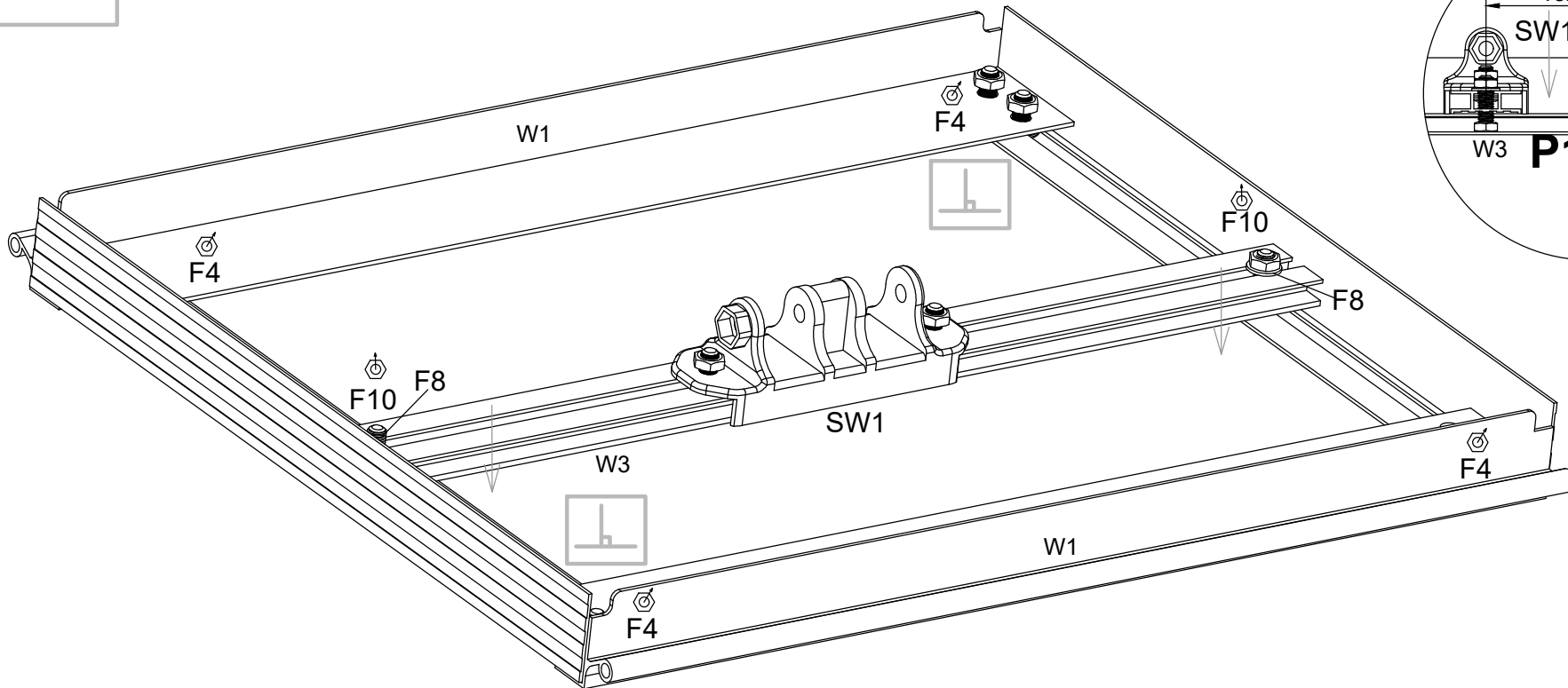


x8



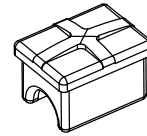


x8

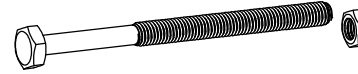




W4 x16



SW4 x32

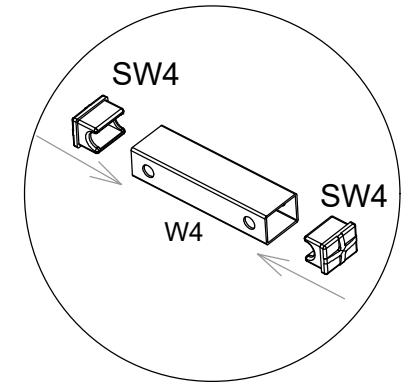
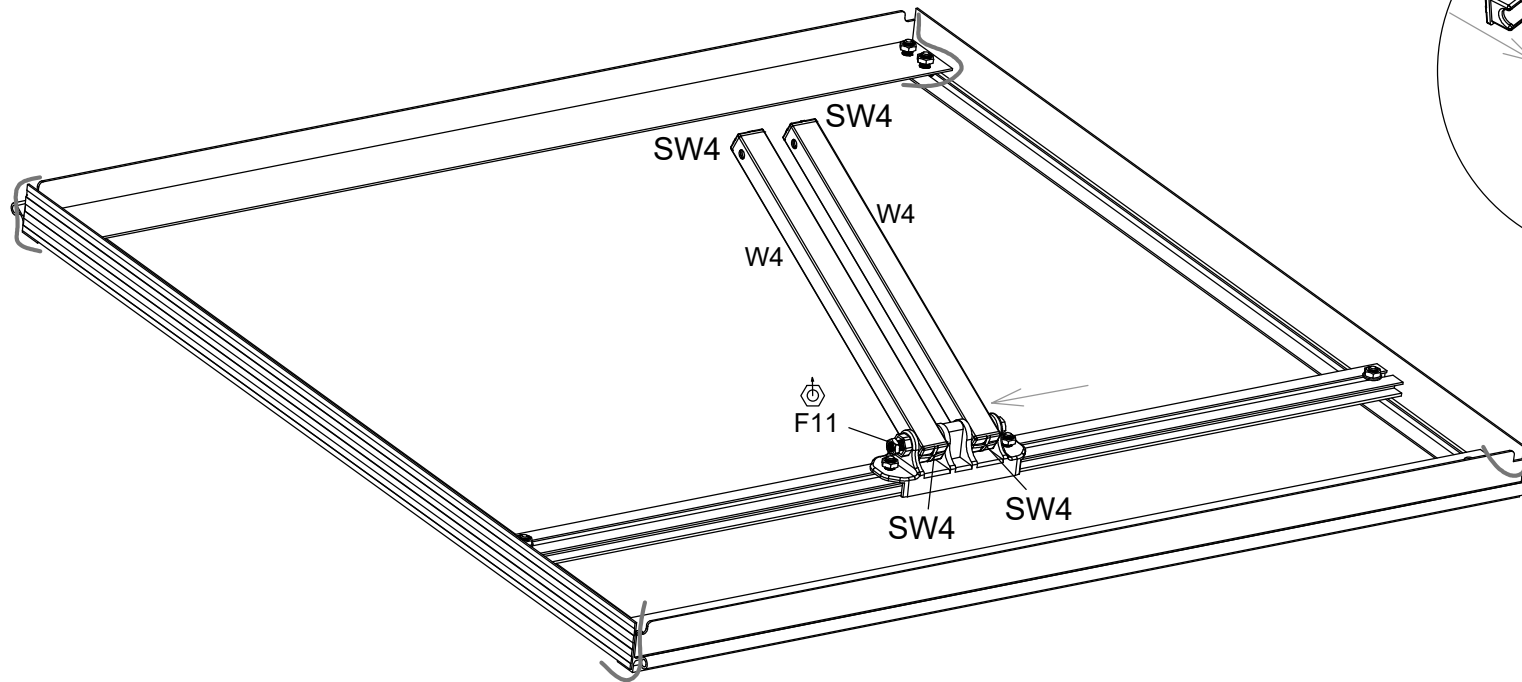


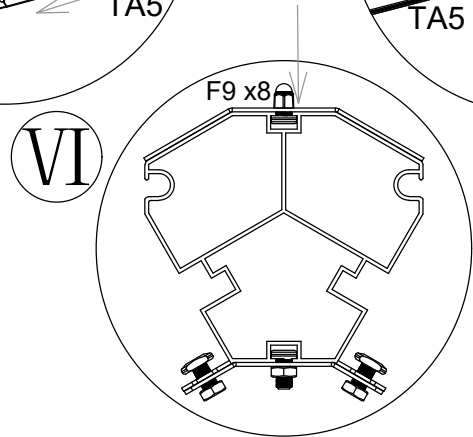
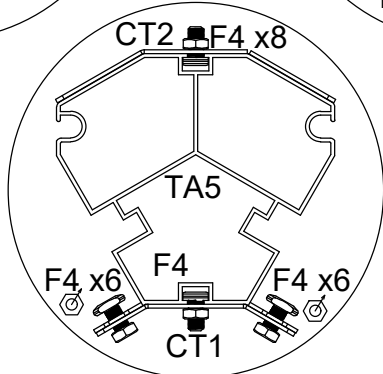
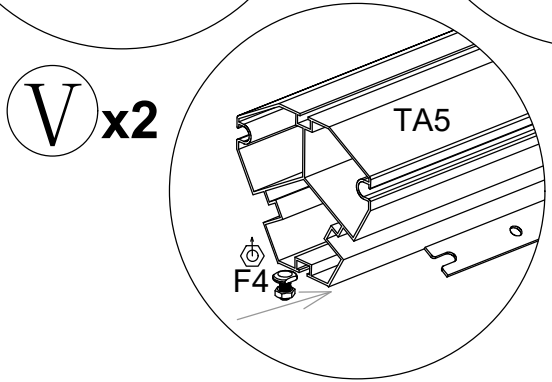
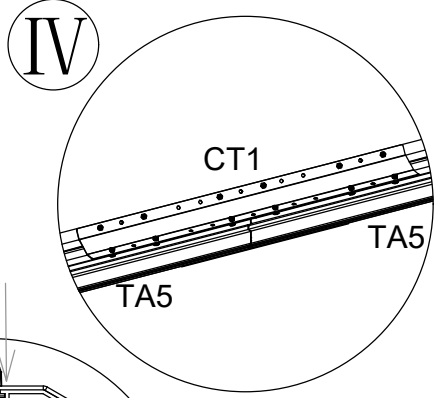
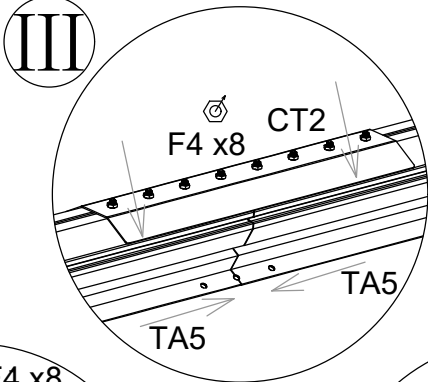
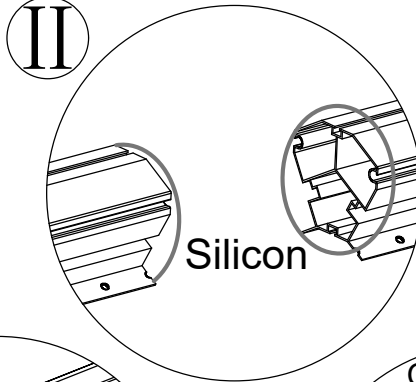
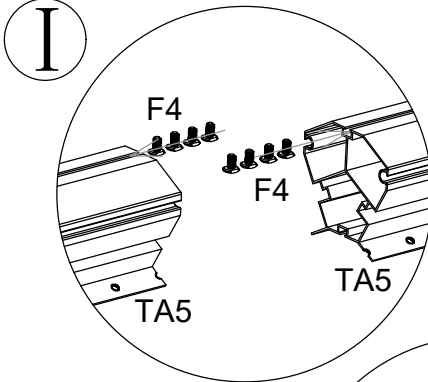
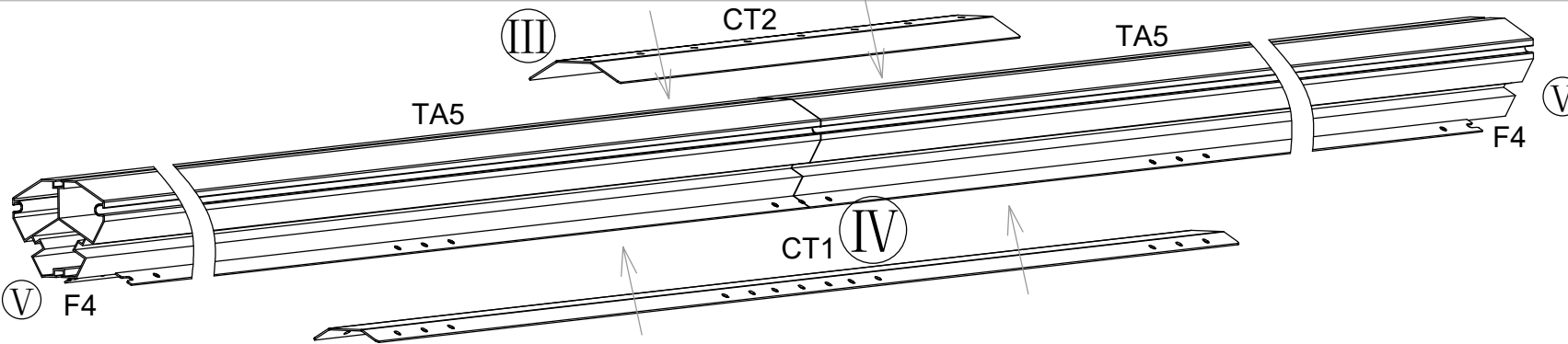
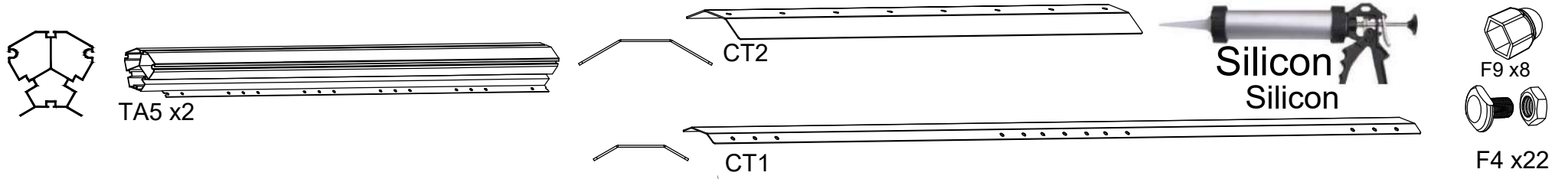
F11 x8



Silicon
Silicon

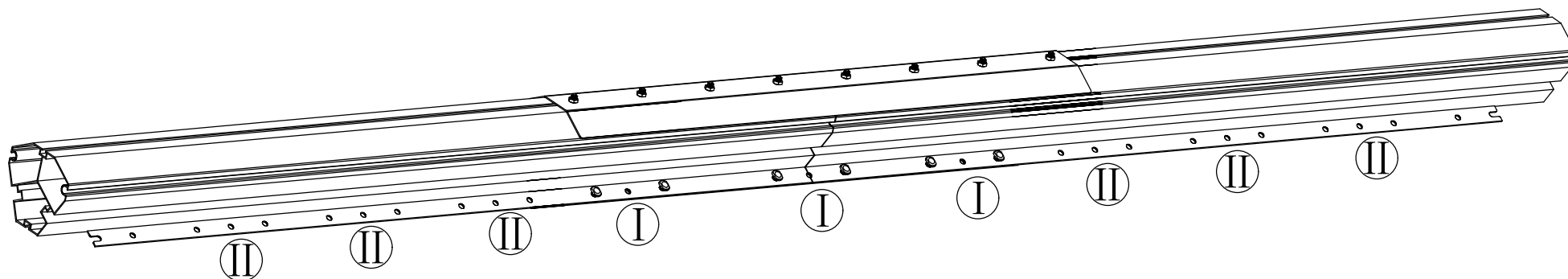
x8



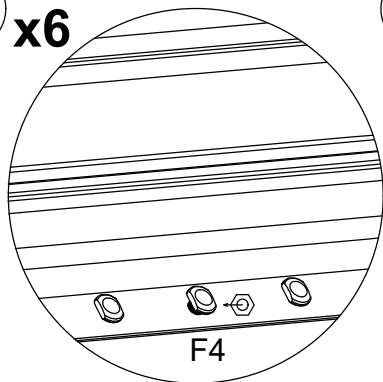




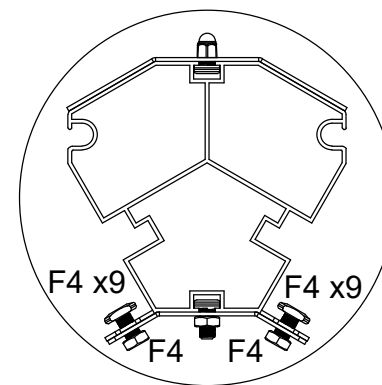
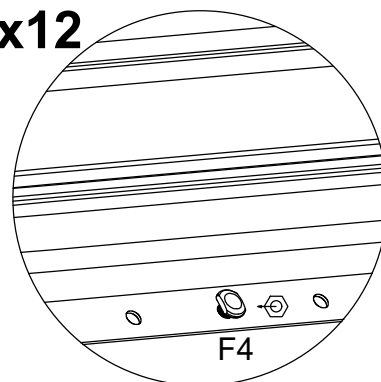
F4 x18

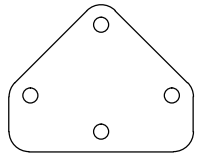


I x6

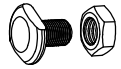


II x12





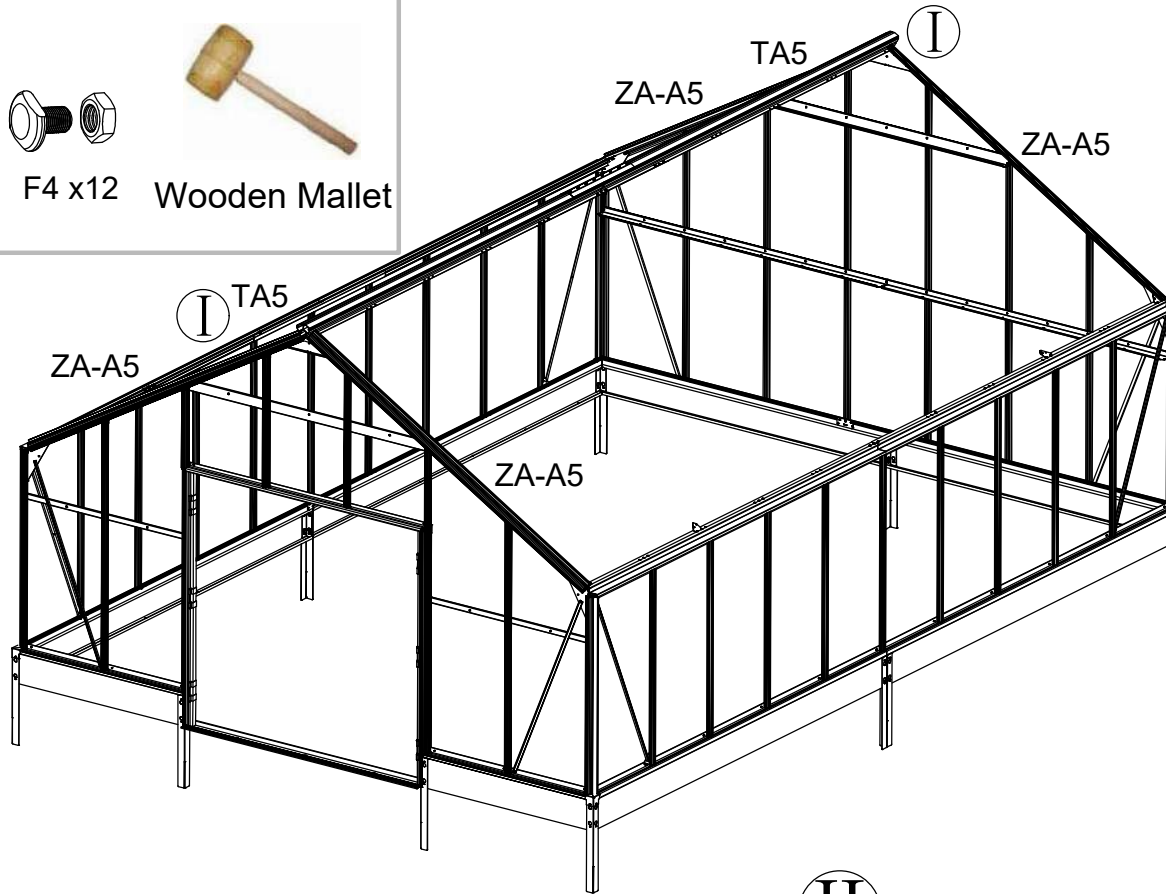
C1 x4



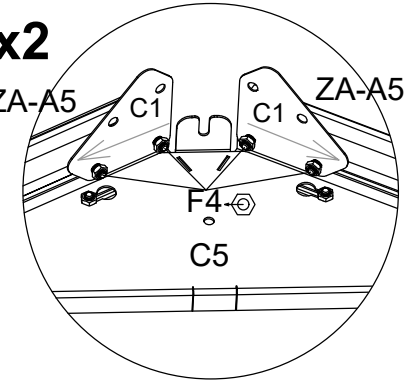
F4 x12



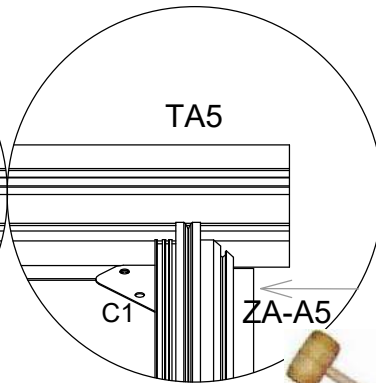
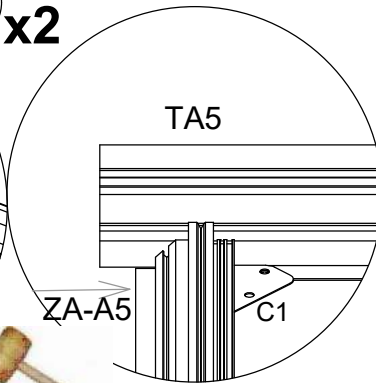
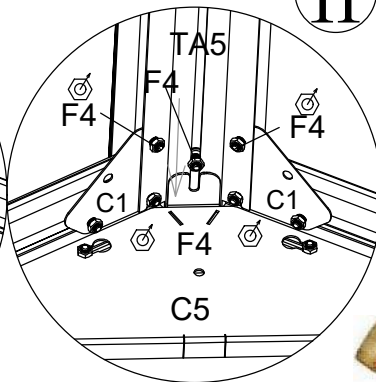
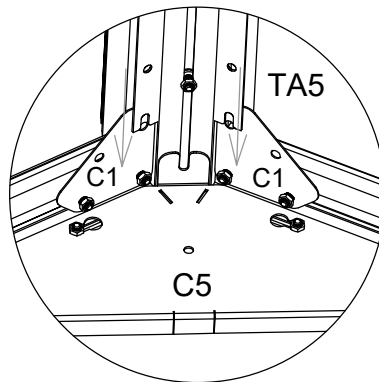
Wooden Mallet

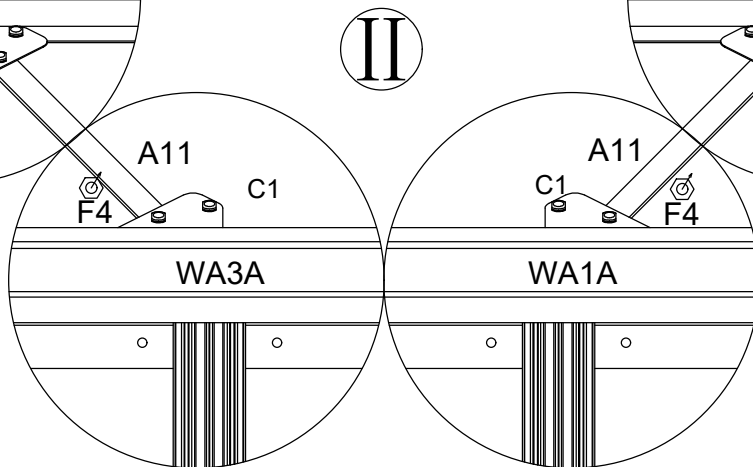
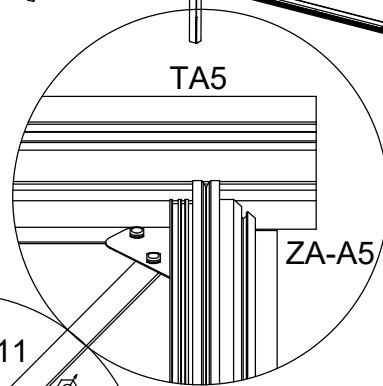
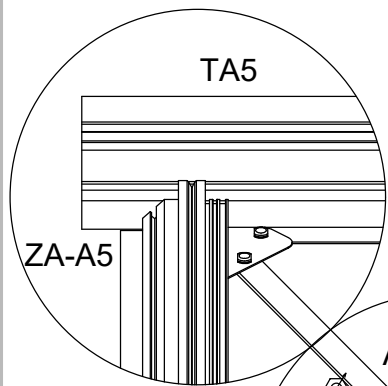
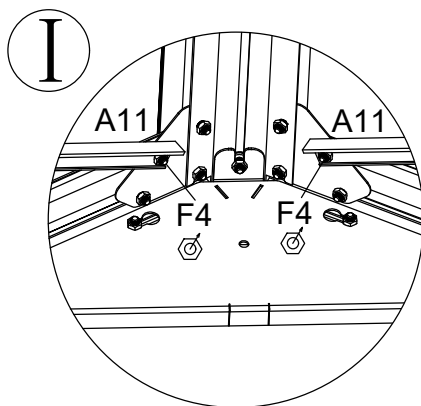
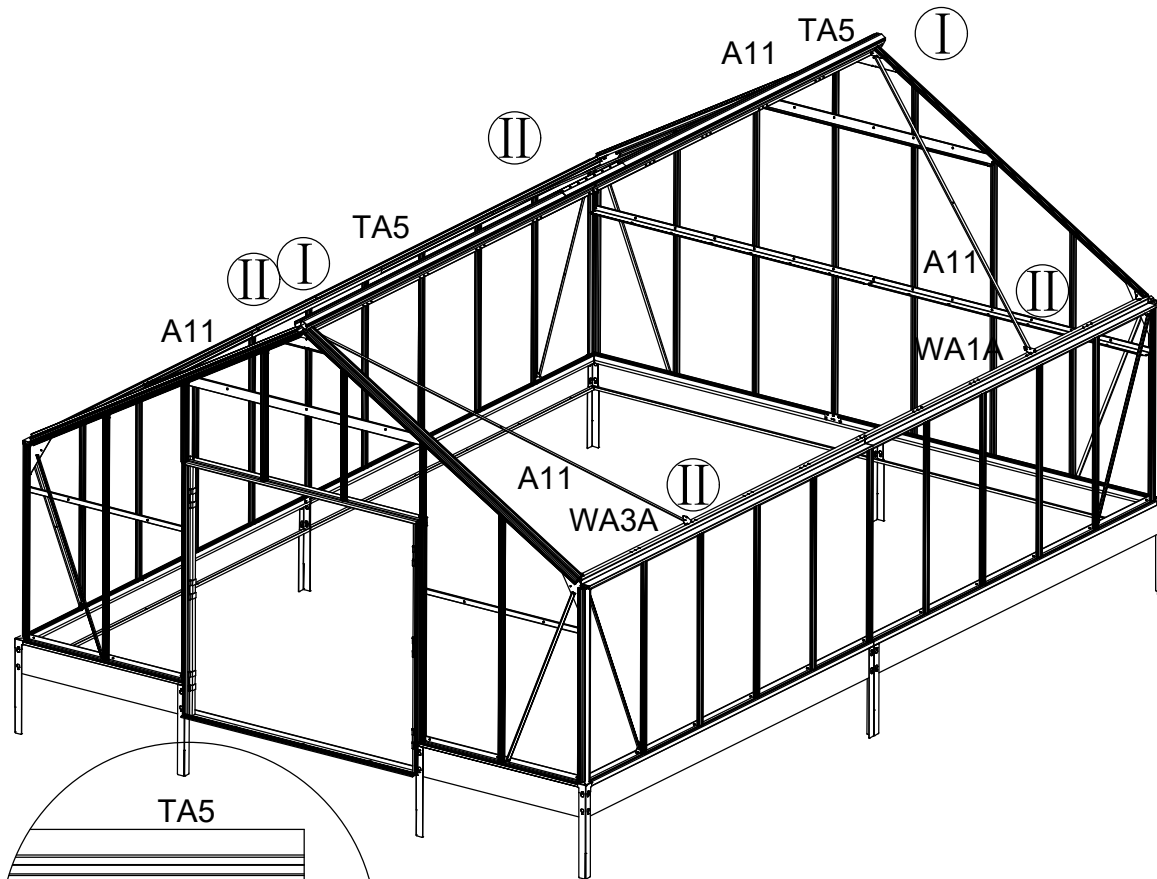
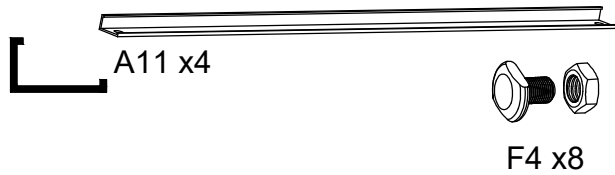


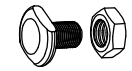
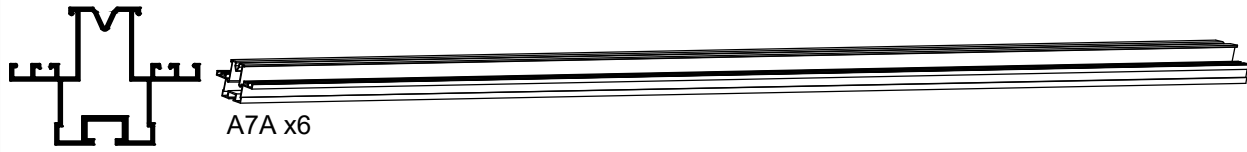
I x2



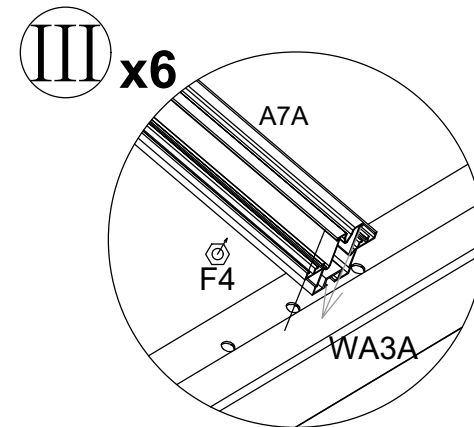
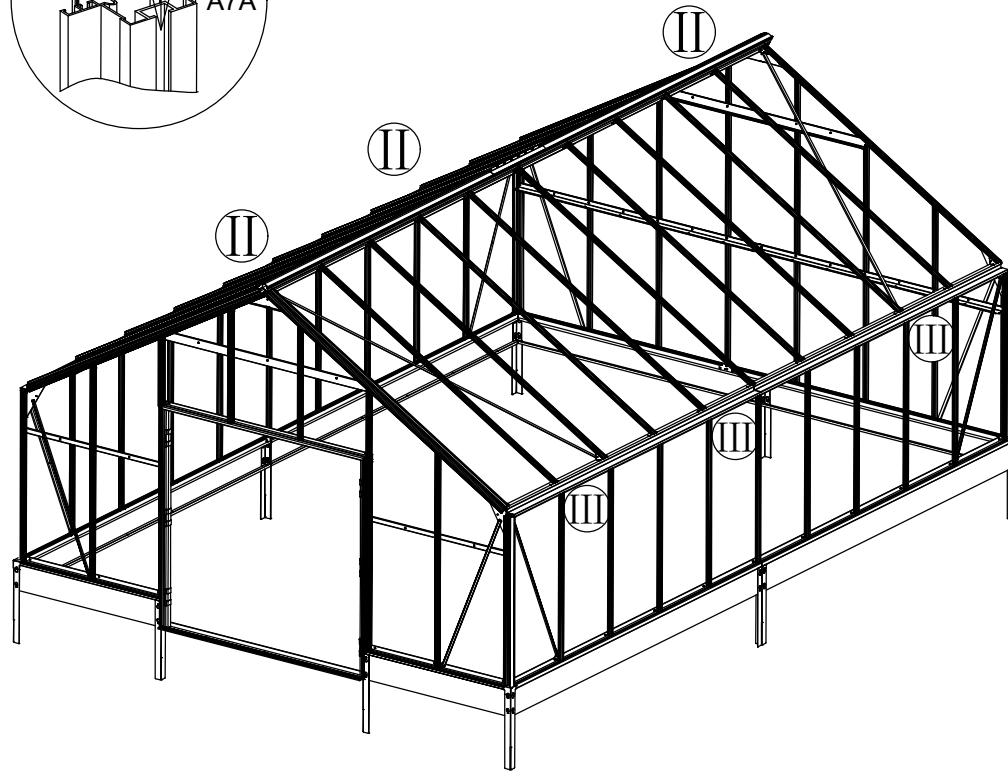
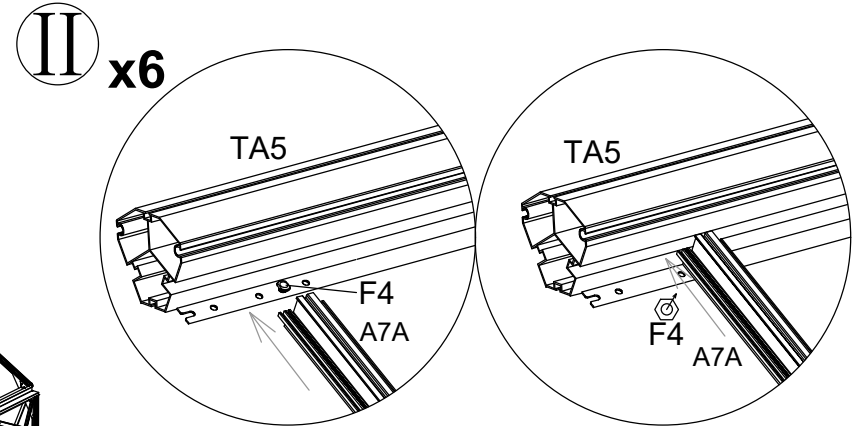
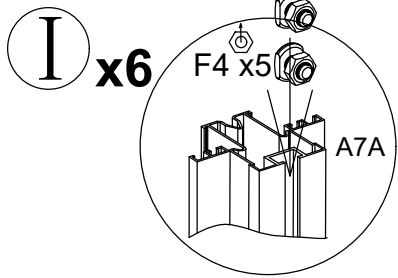
II x2



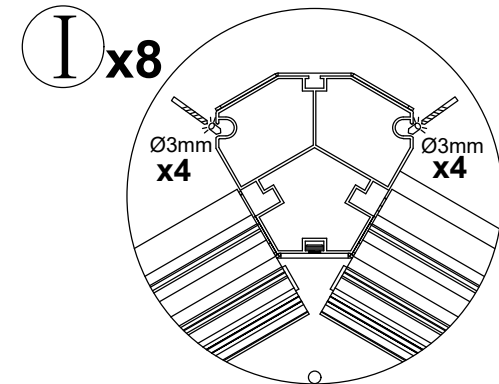
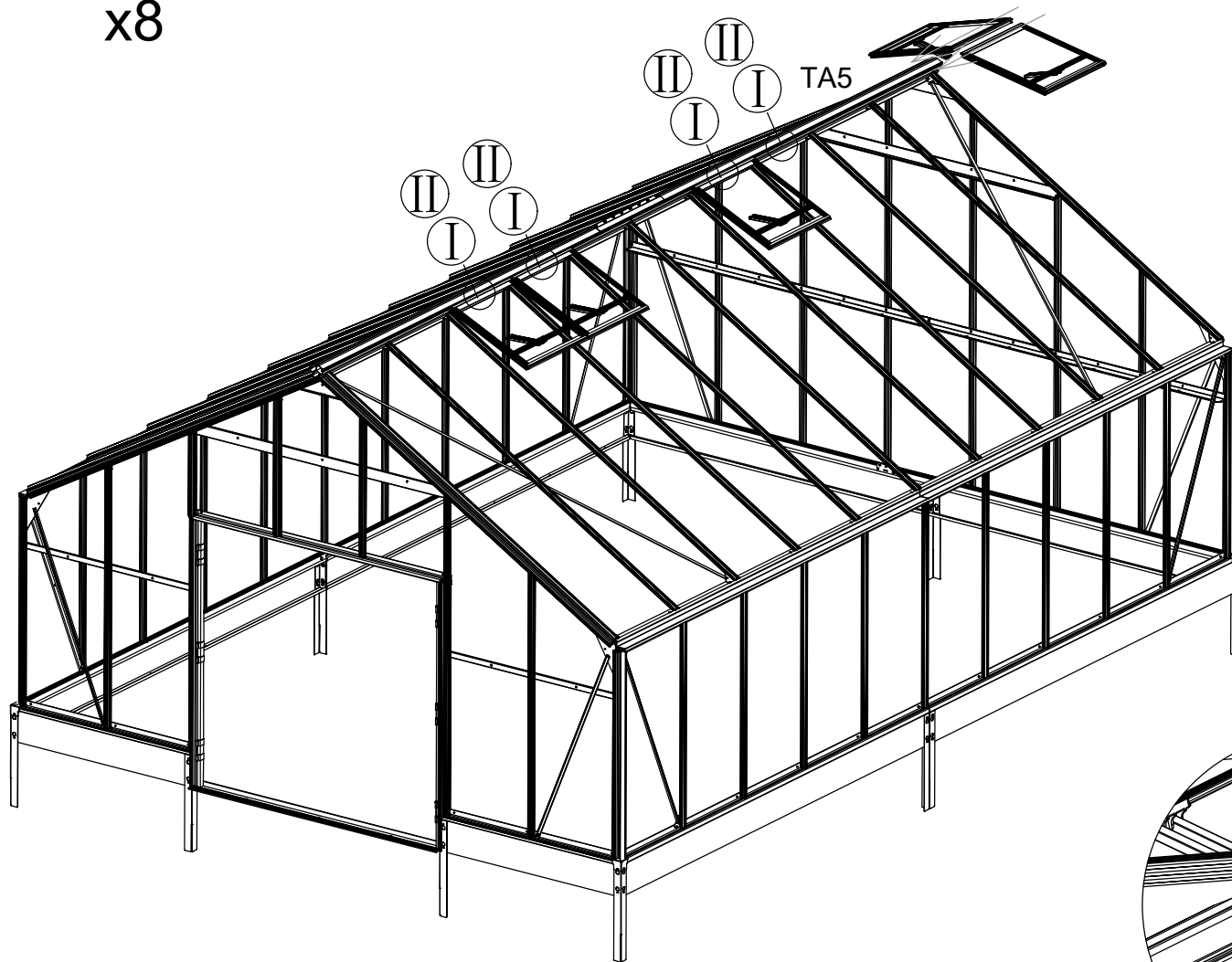




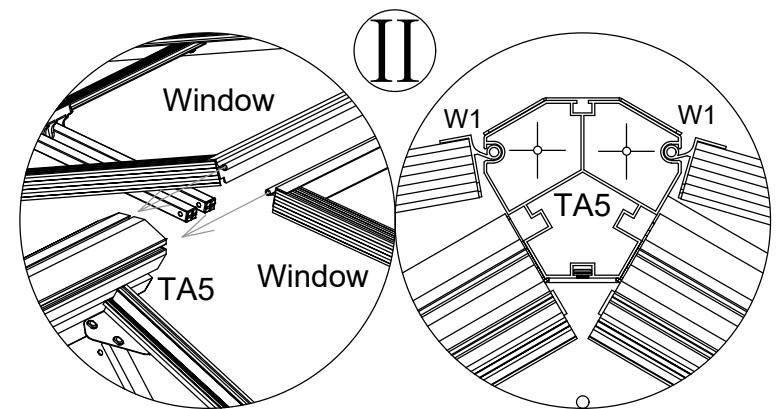
F4 x12



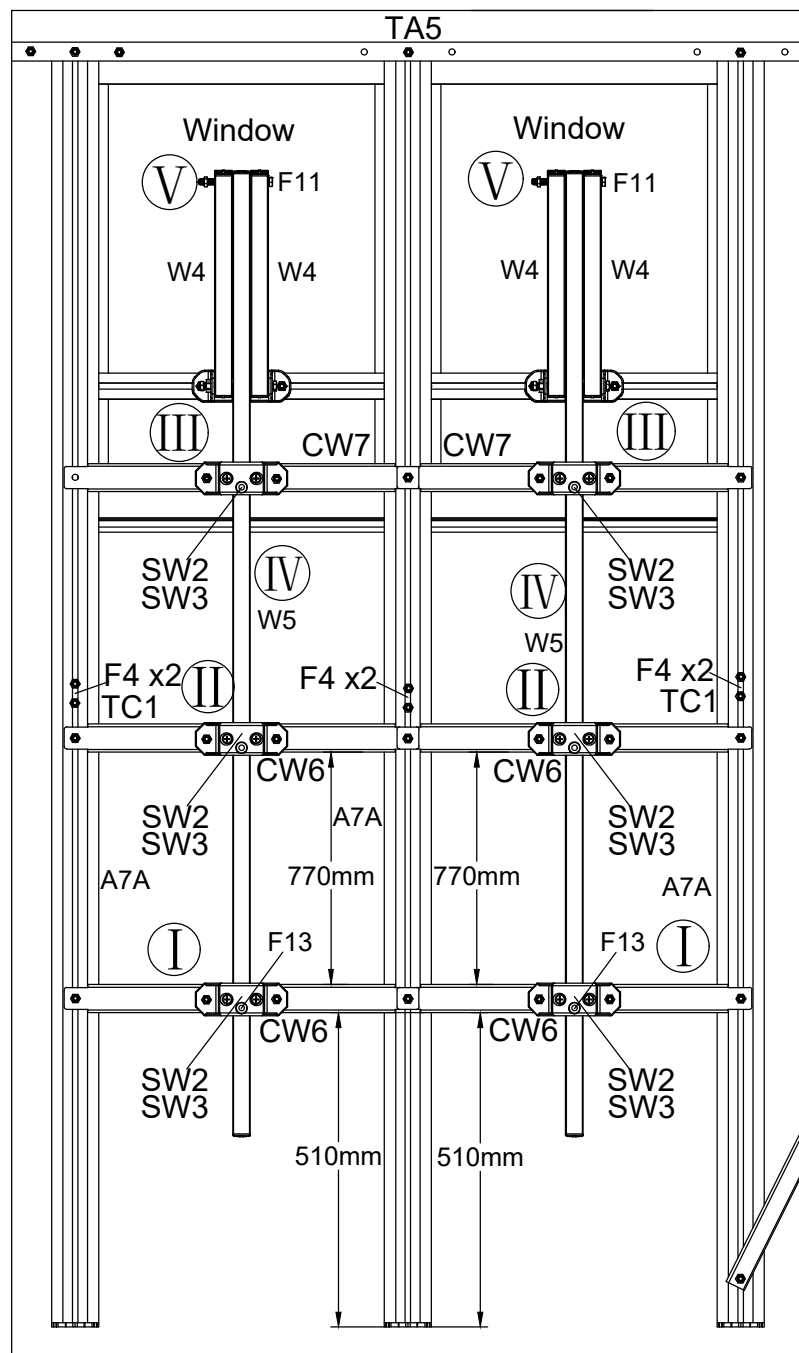
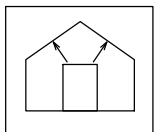
Window x8



Help to exclude rain

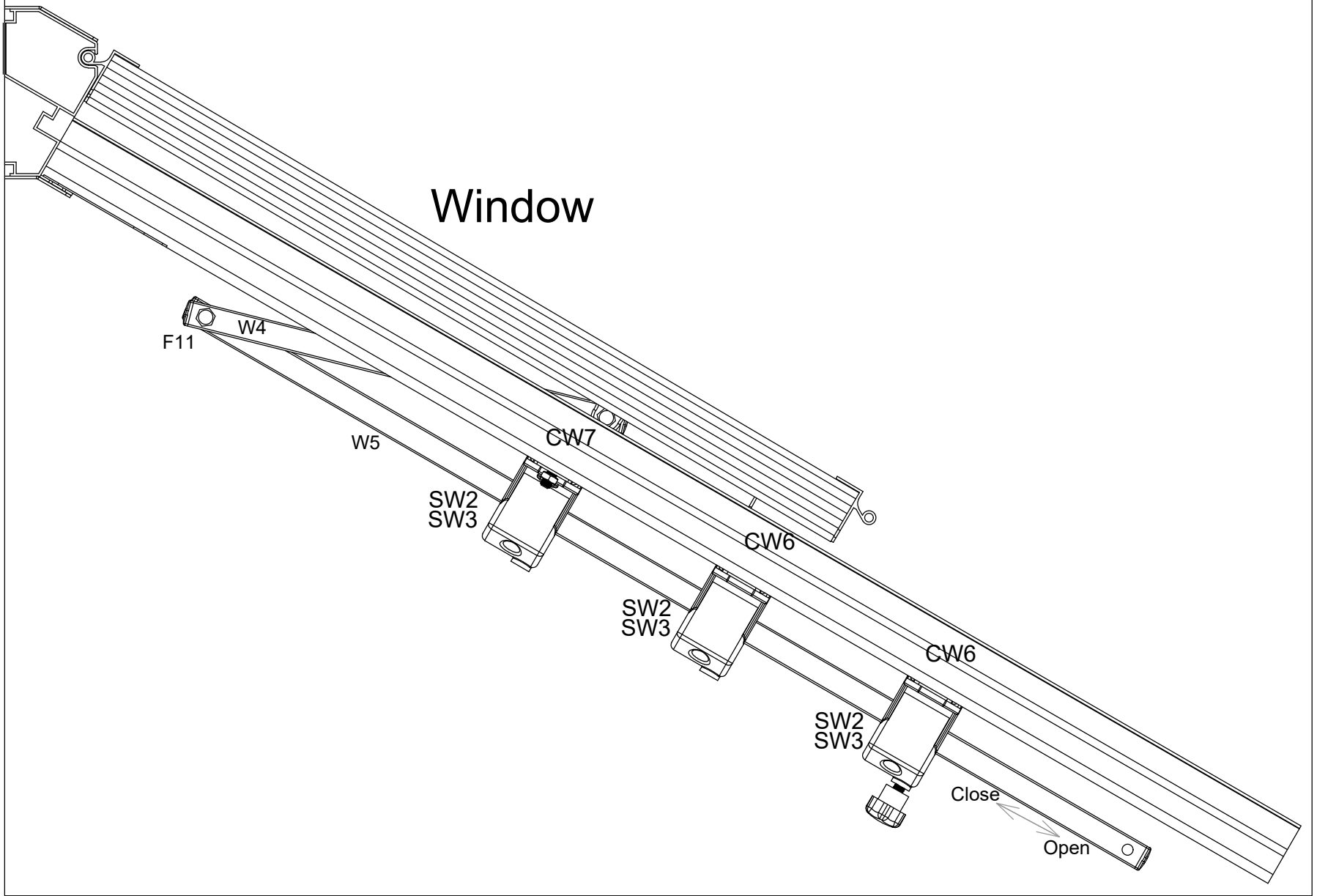


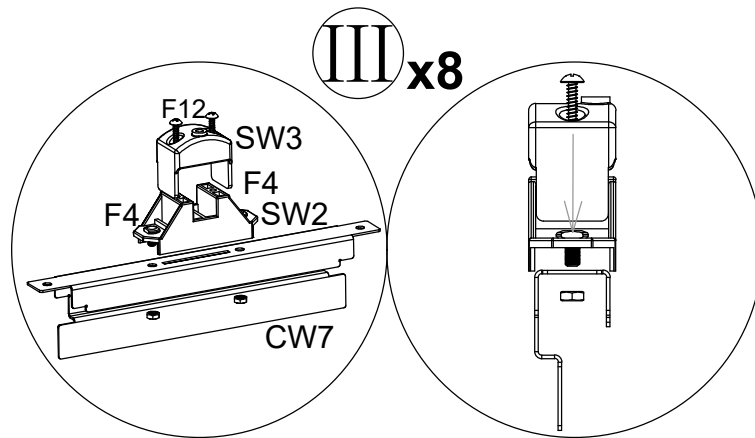
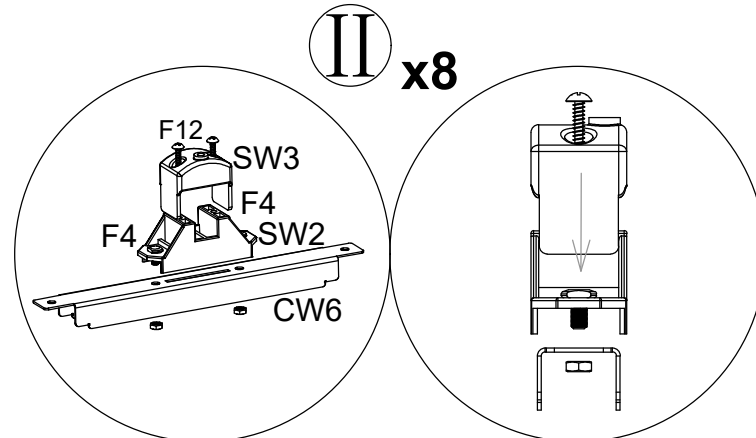
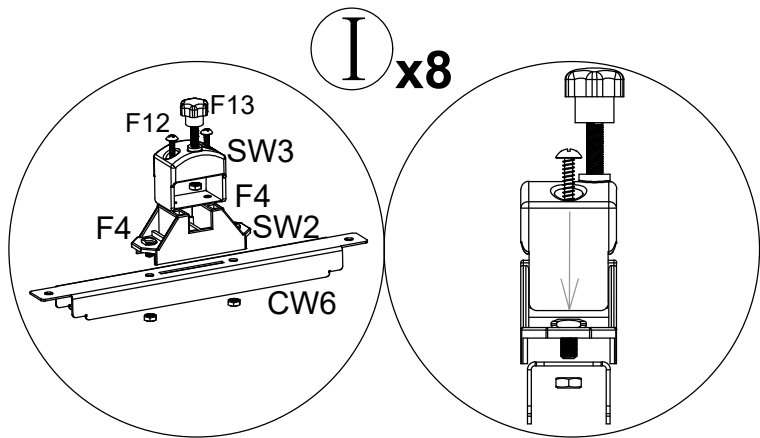
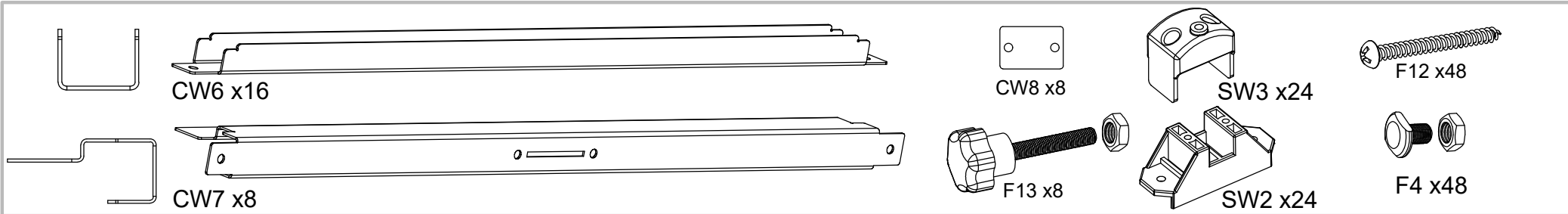
x4

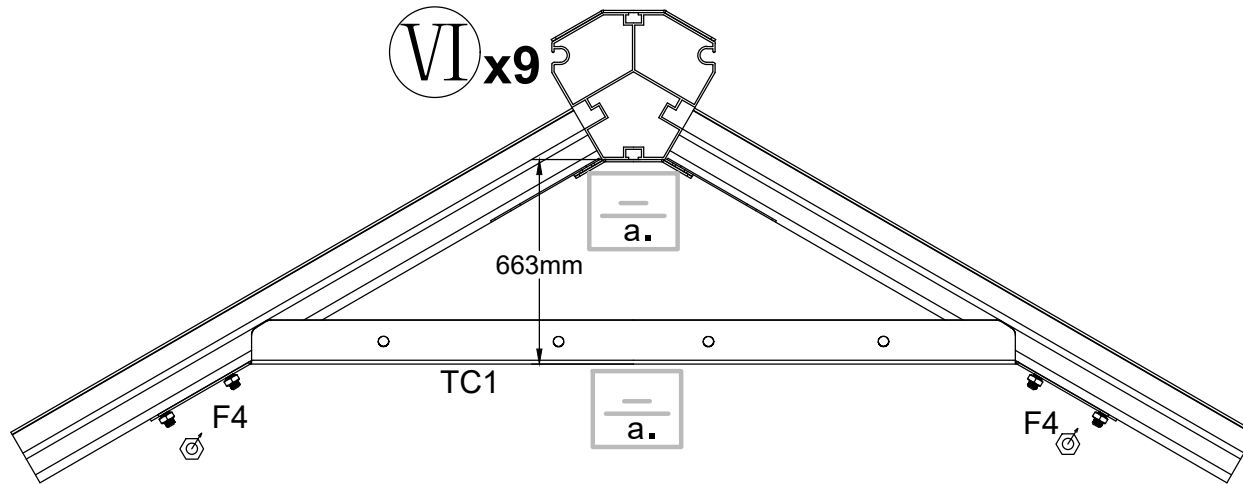
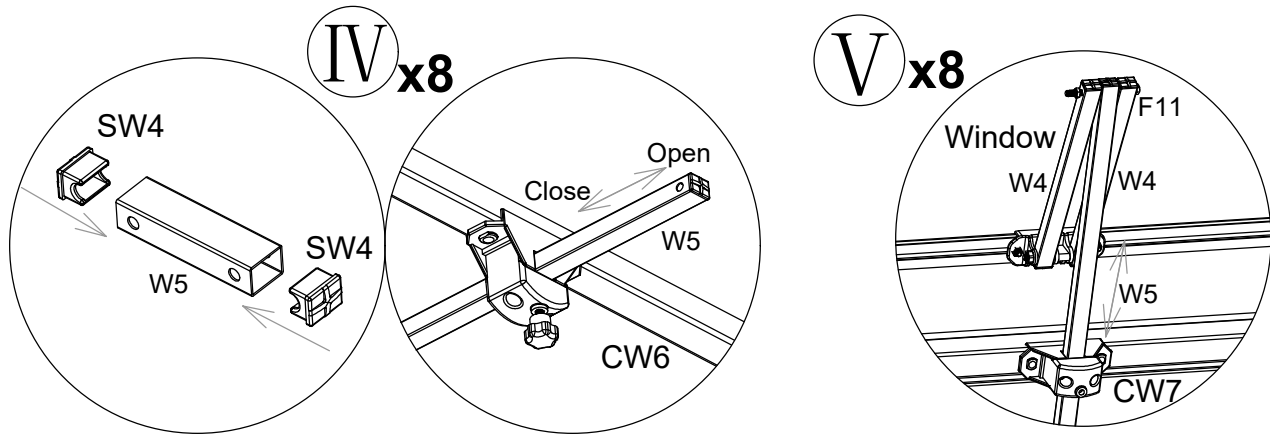
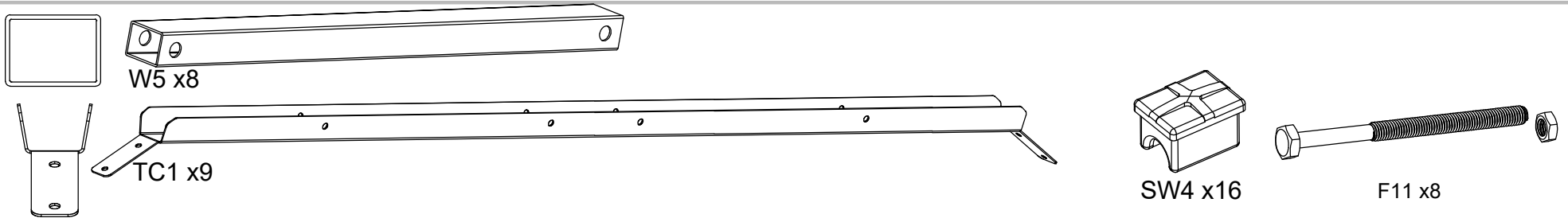


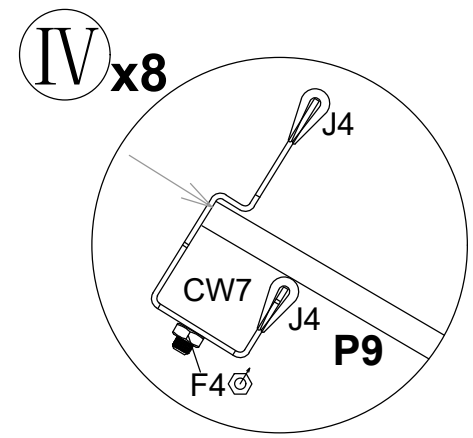
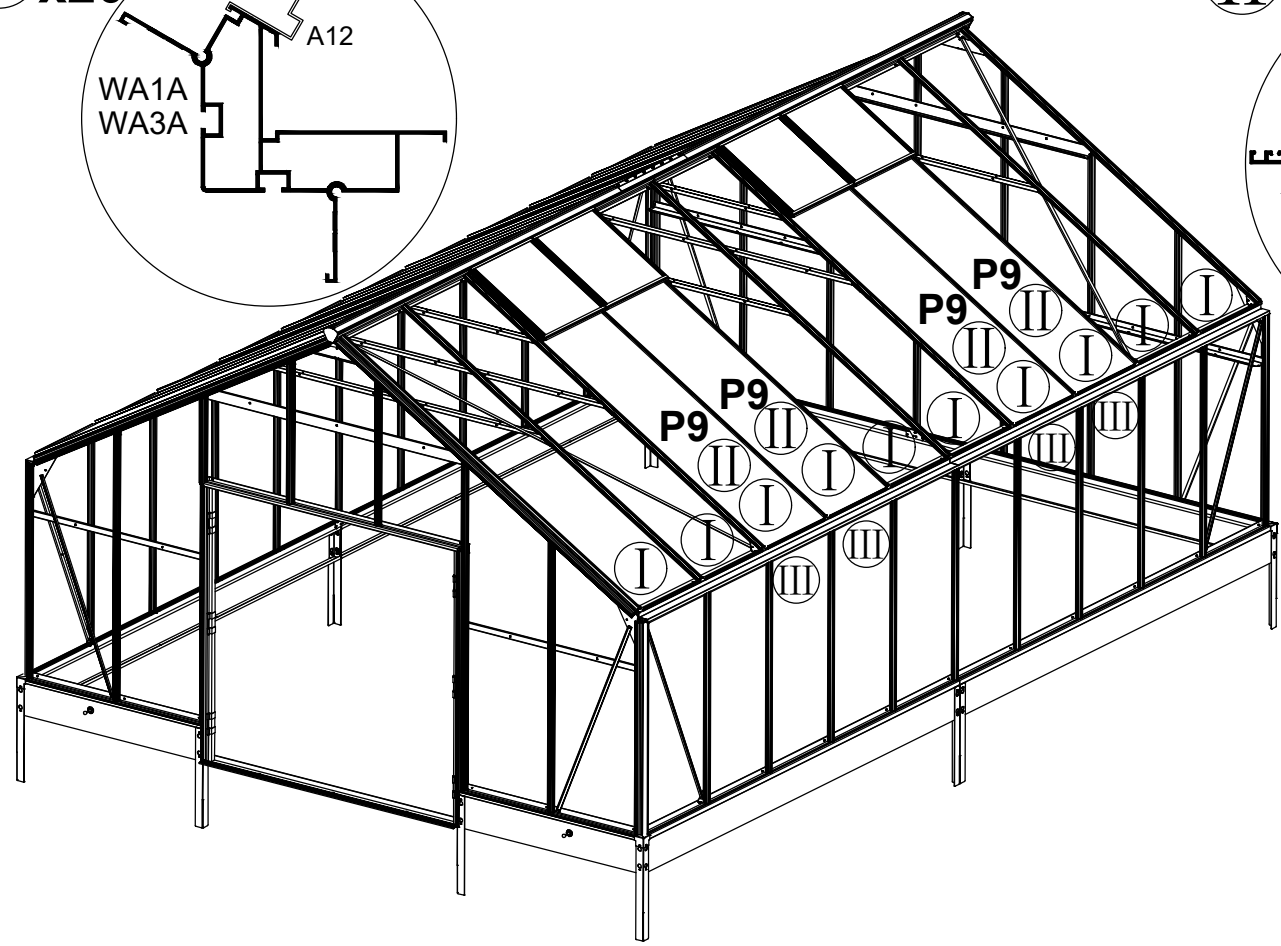
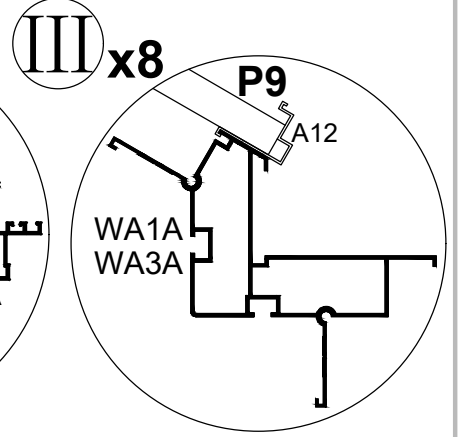
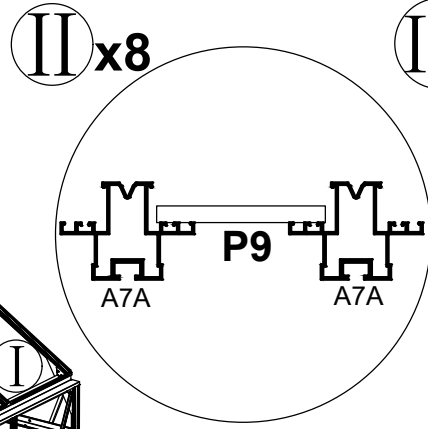
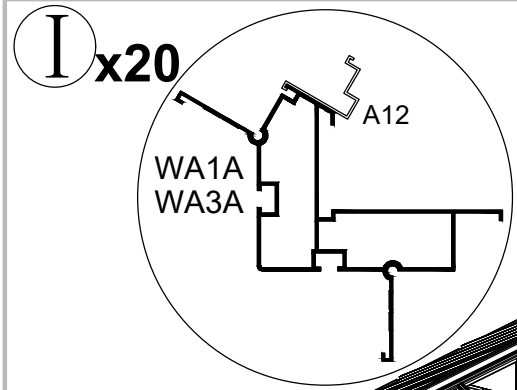
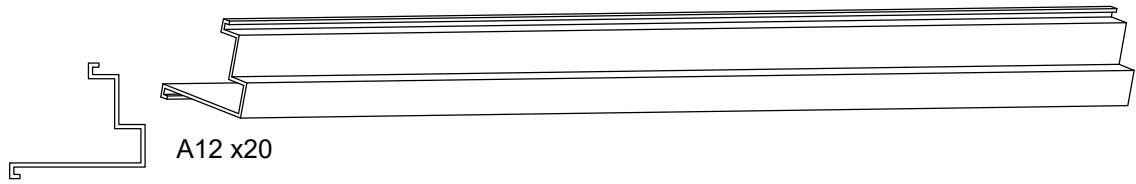
TA5

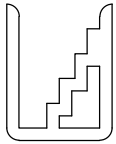
Window



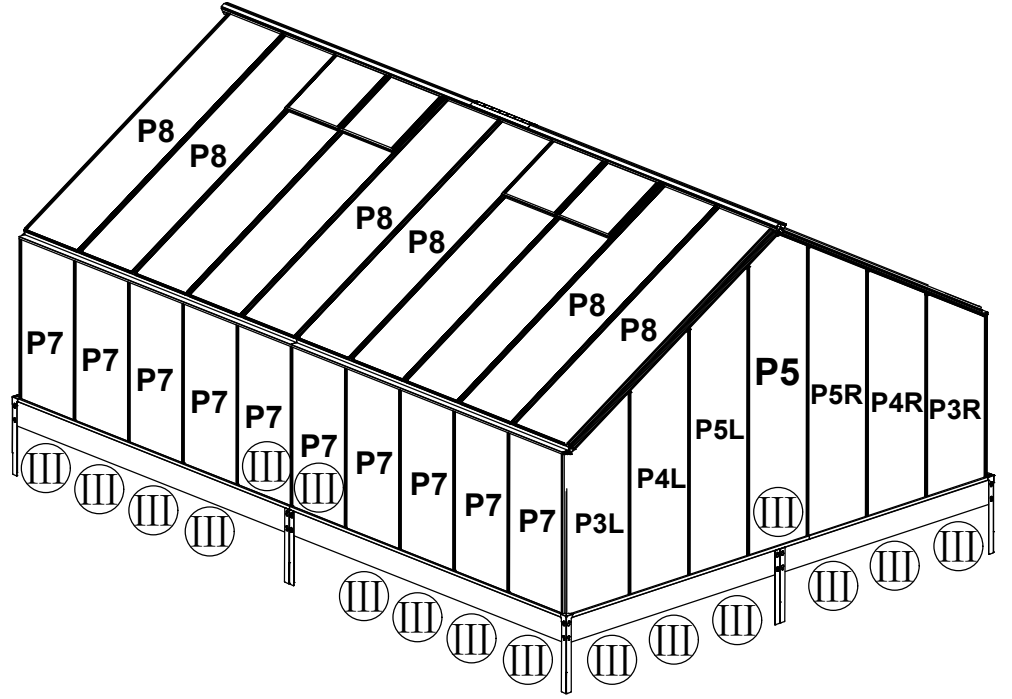
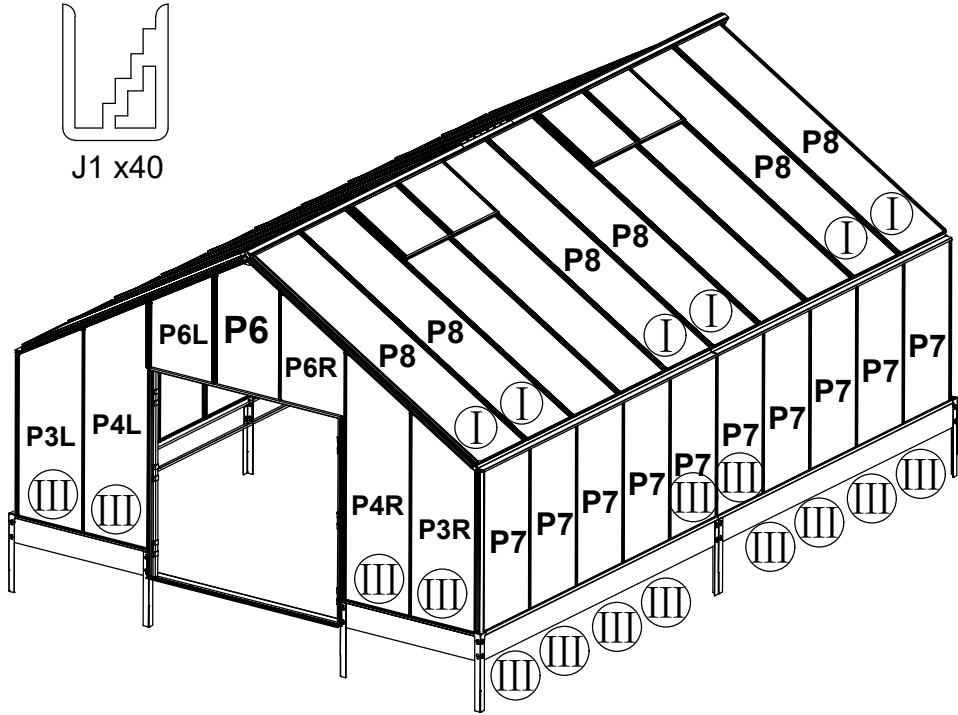




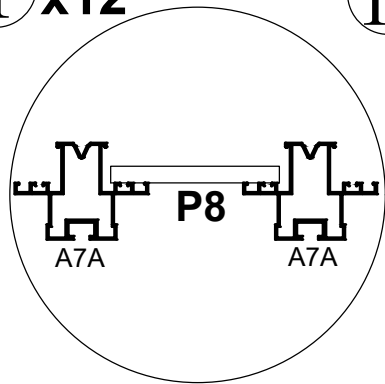




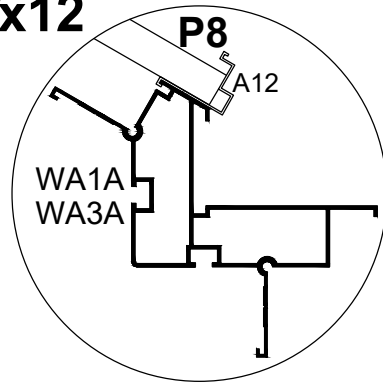
J1 x40



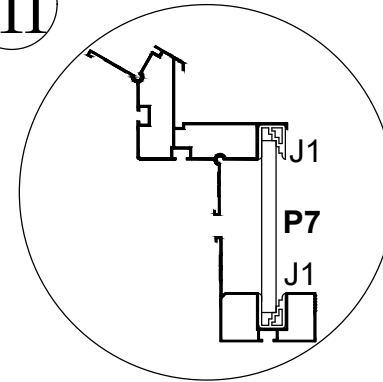
I x12

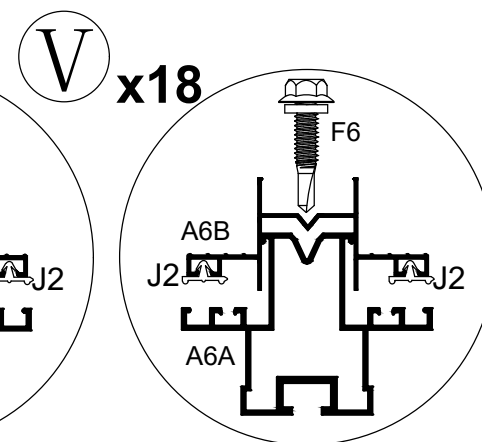
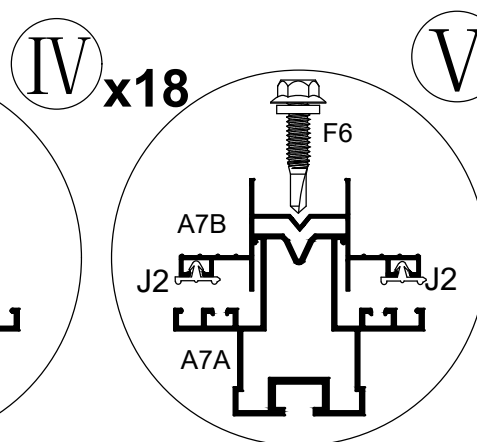
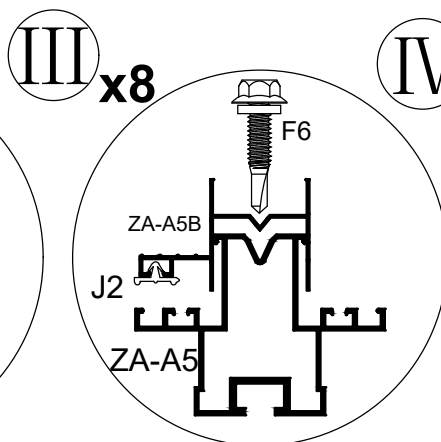
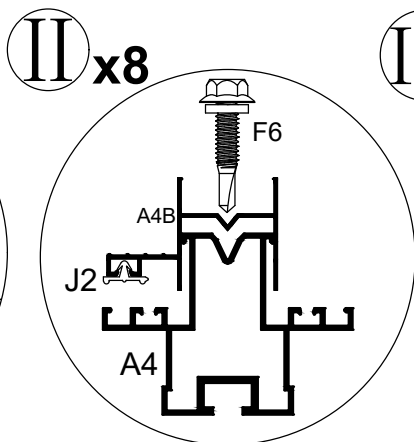
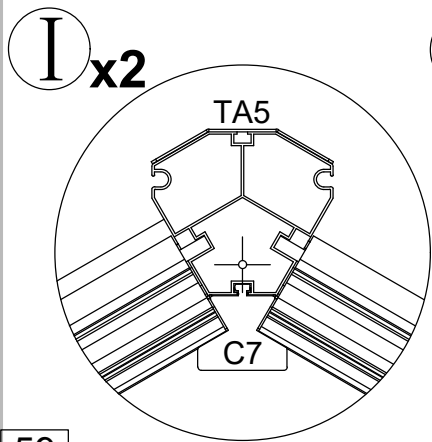
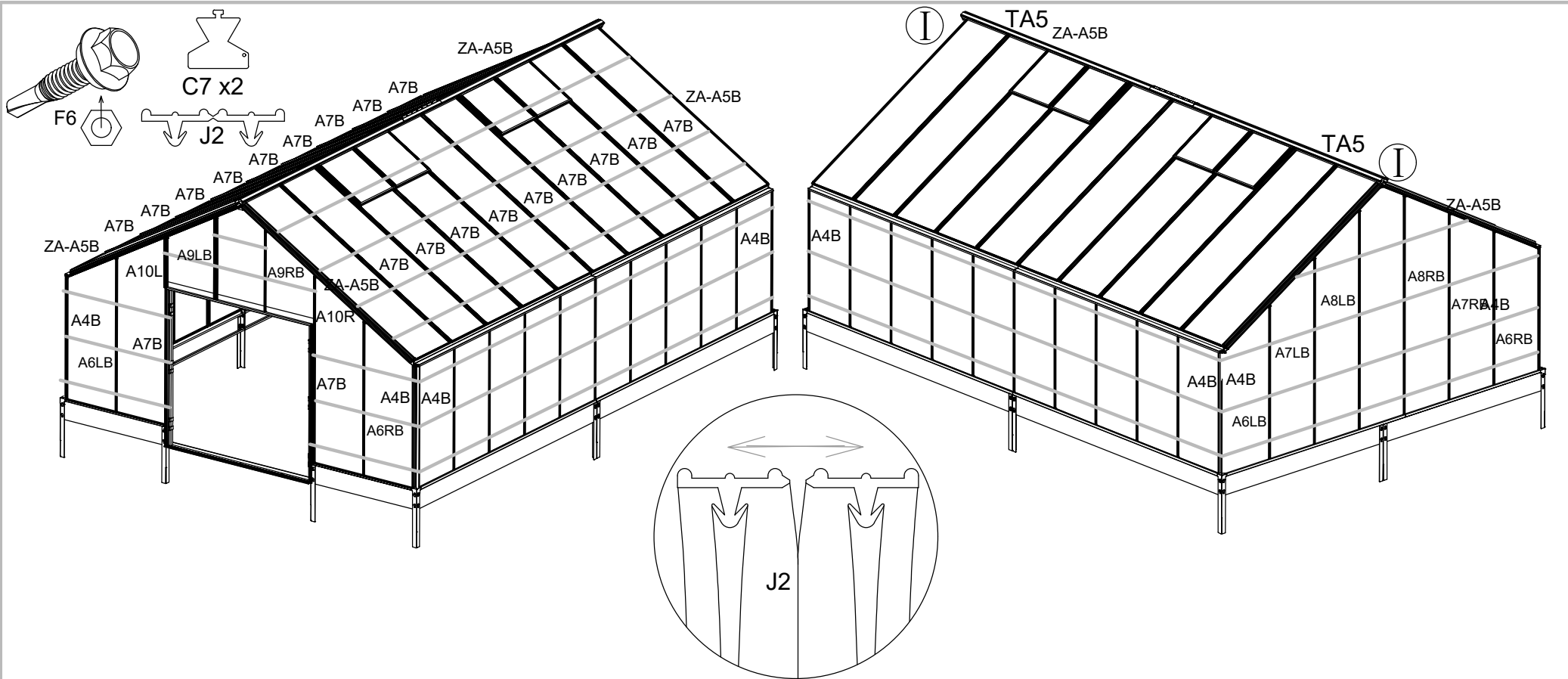


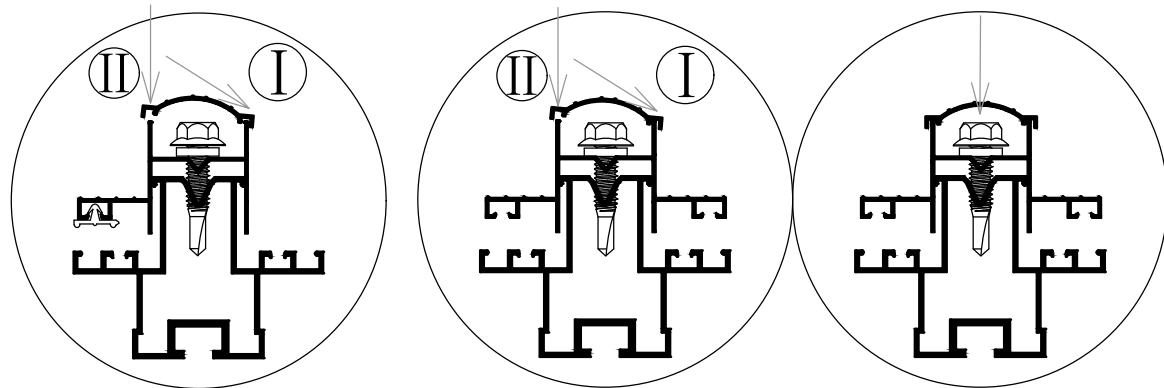
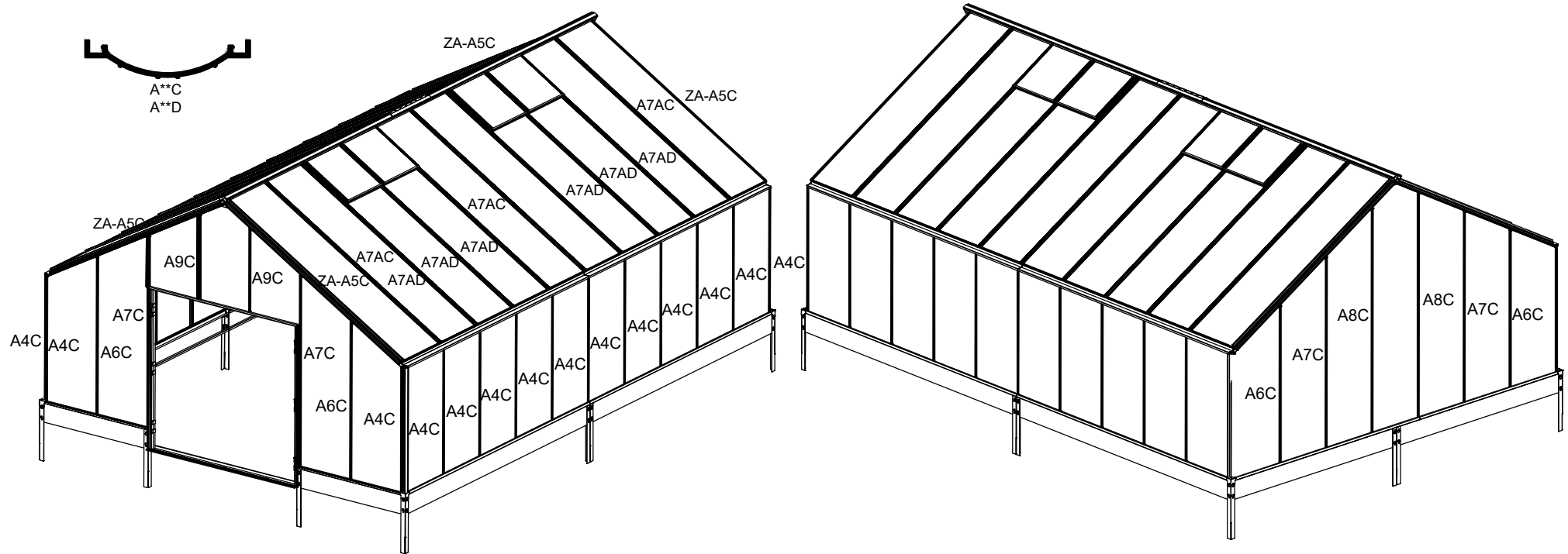
II x12

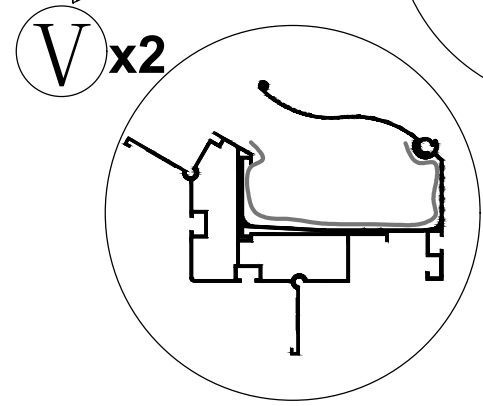
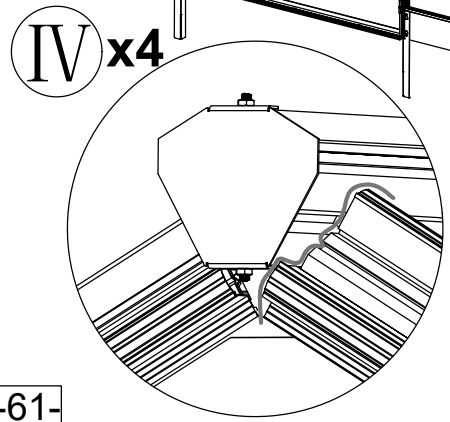
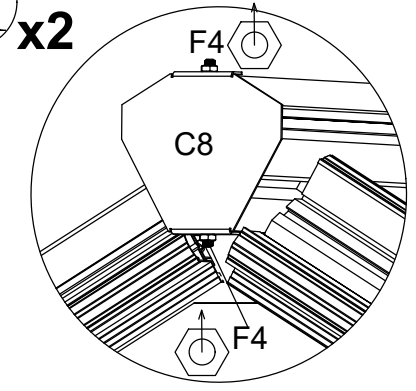
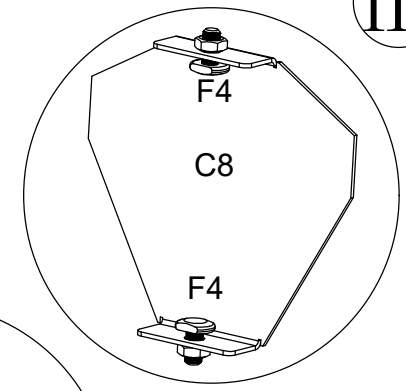
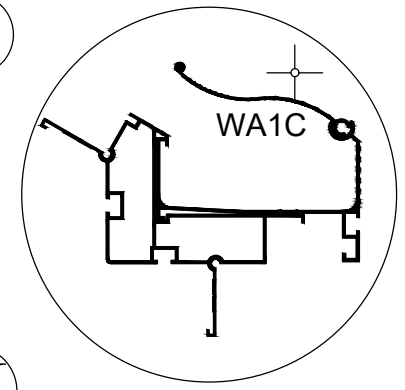
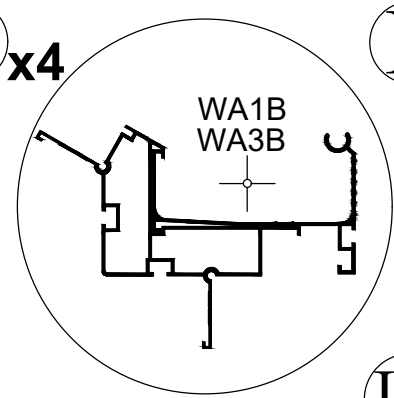
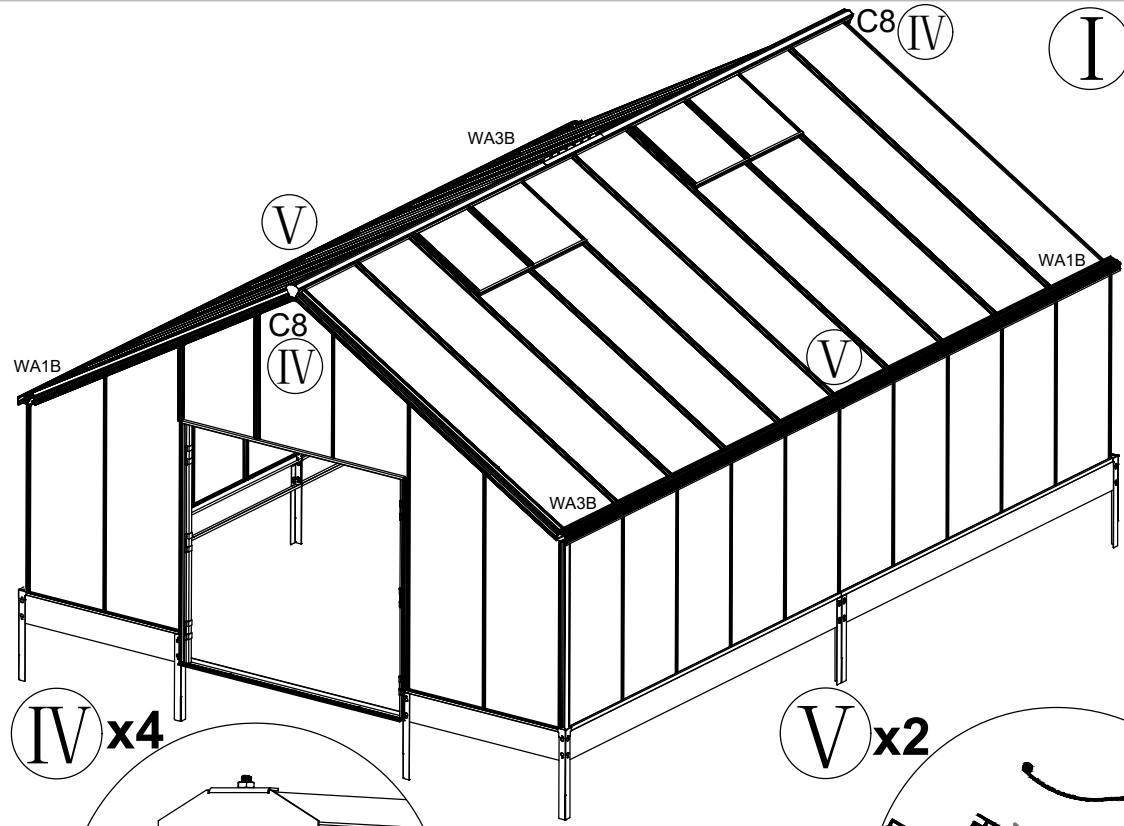
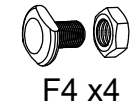
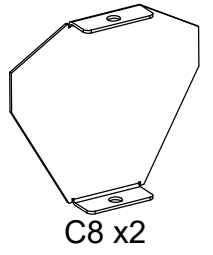
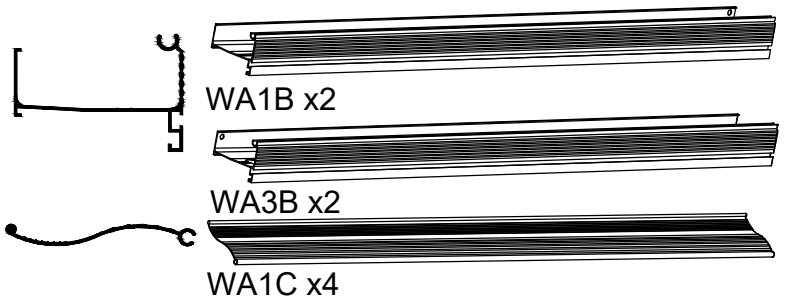


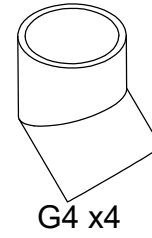
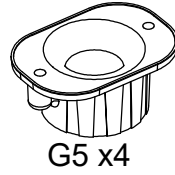
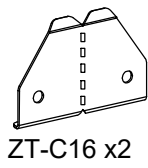
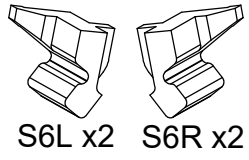
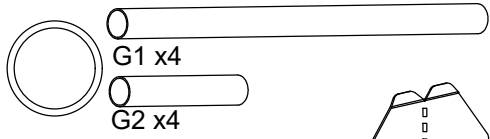
III



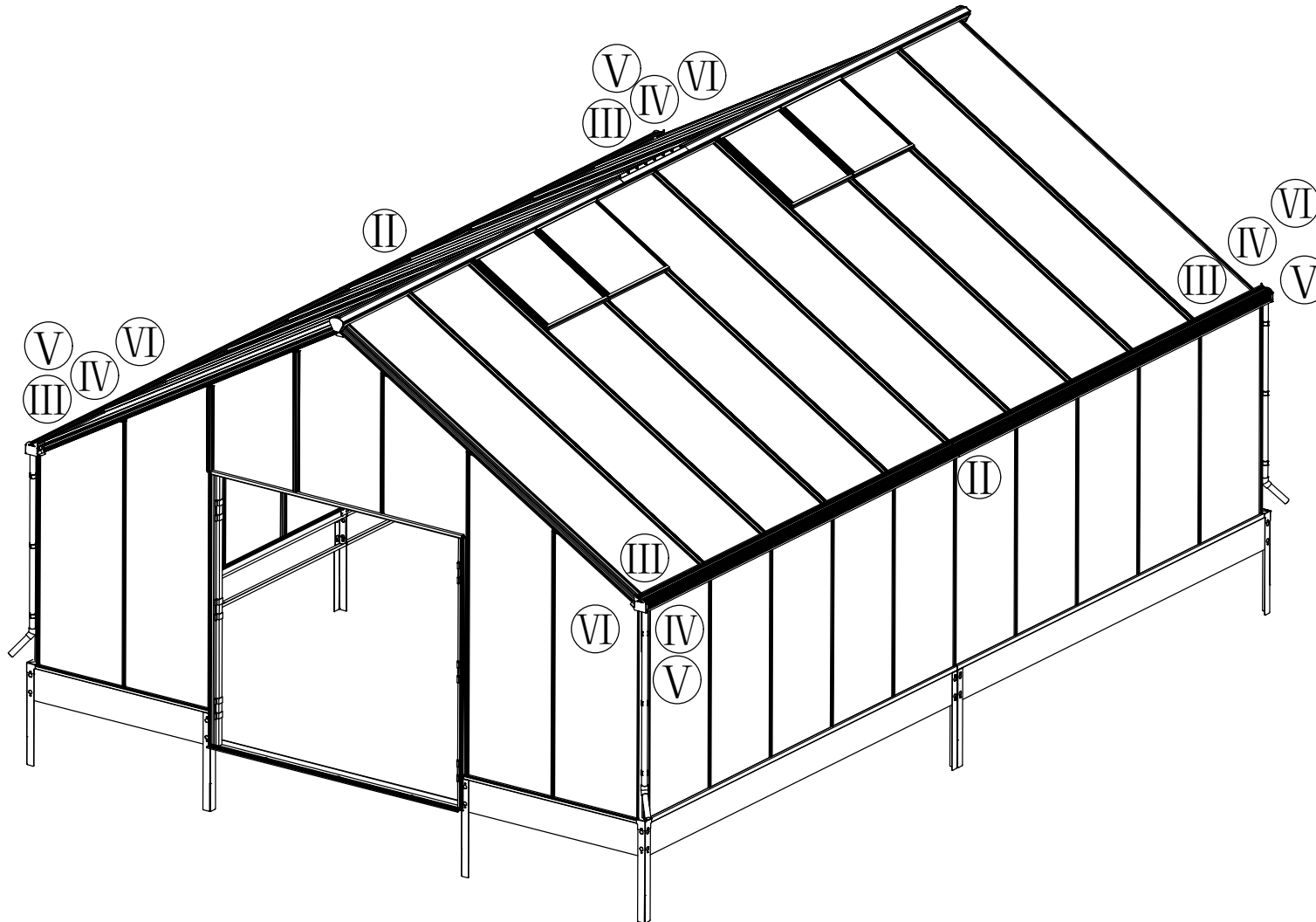




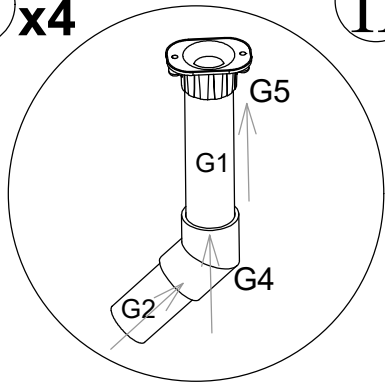




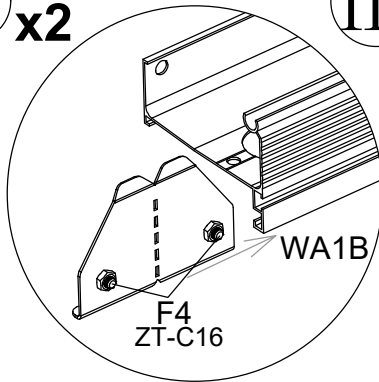
Silicon
Silicon



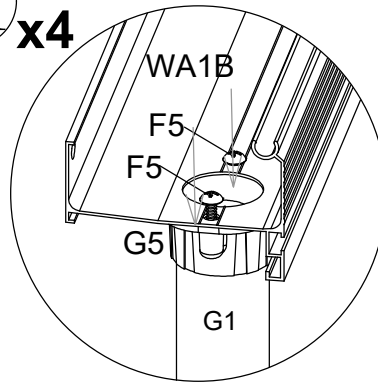
I x4



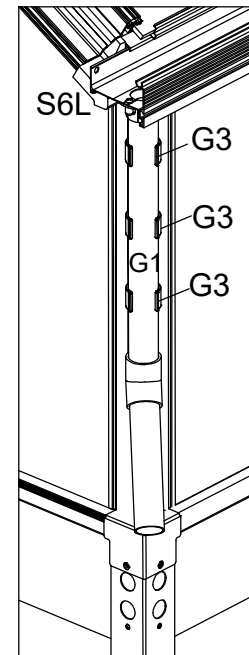
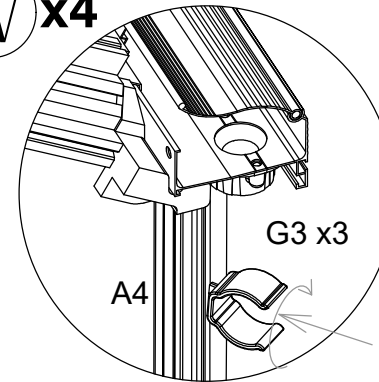
II x2



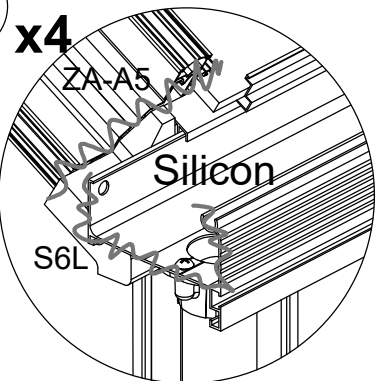
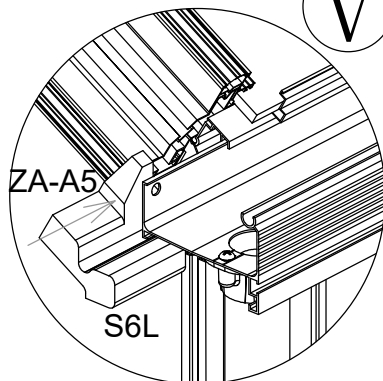
III x4



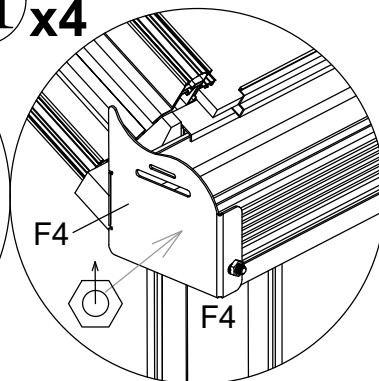
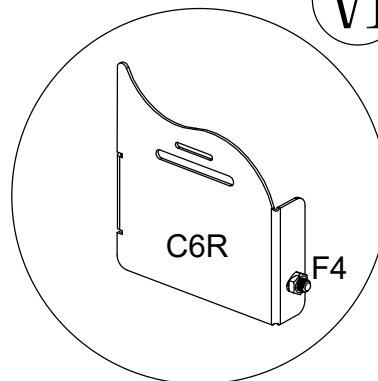
IV x4

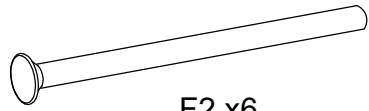


V x4



VI x4

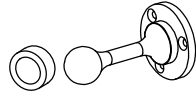




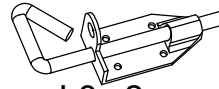
F2 x6



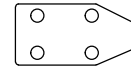
F7 x24



L2 x2



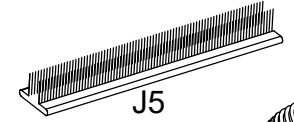
L3 x2



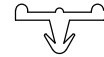
C9 x4



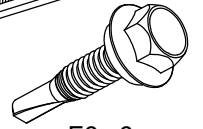
F3 x8



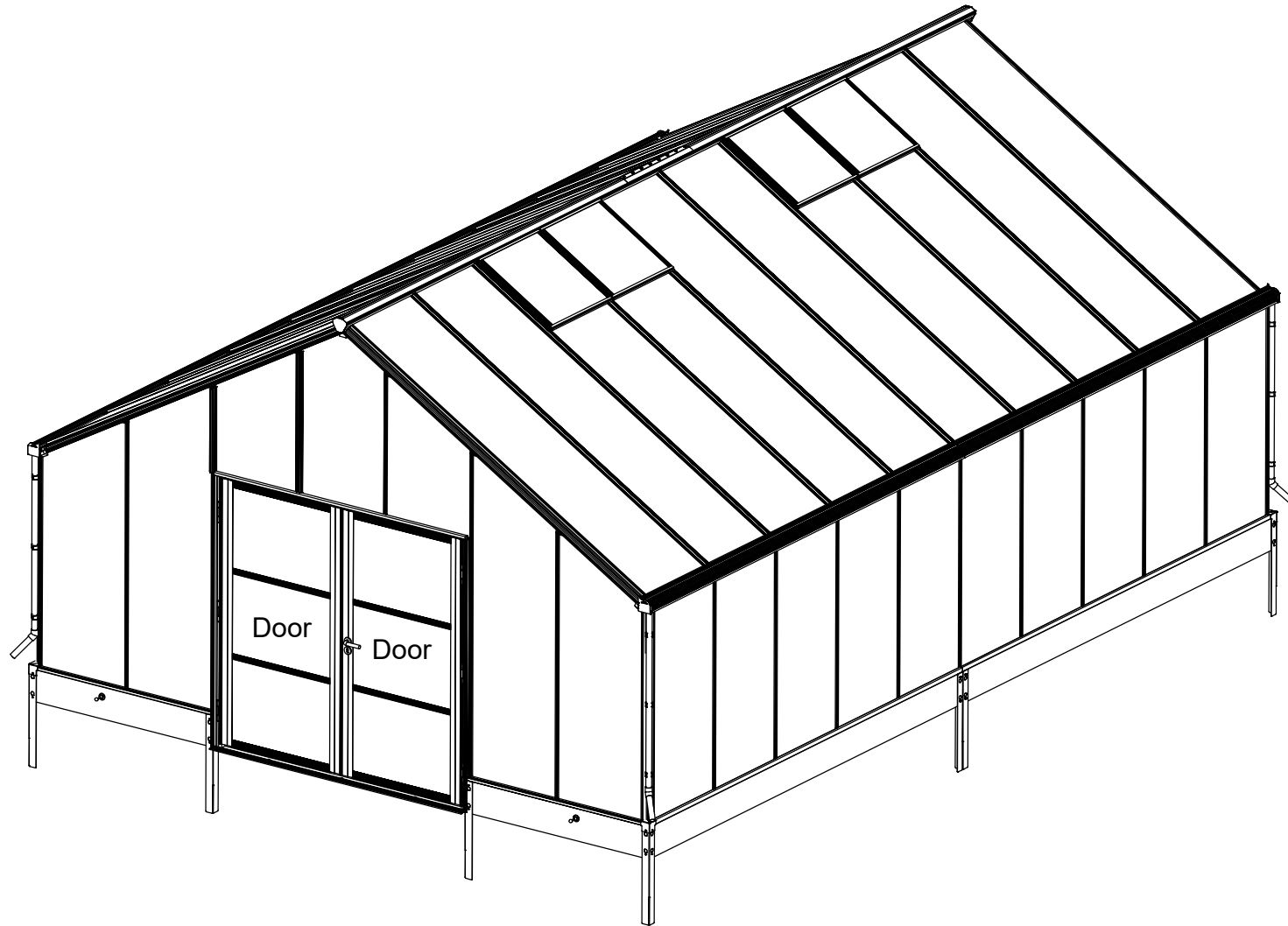
J5



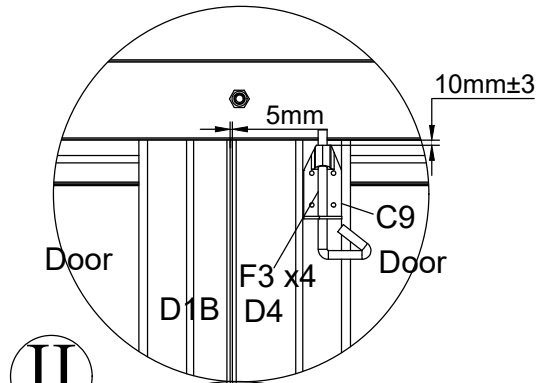
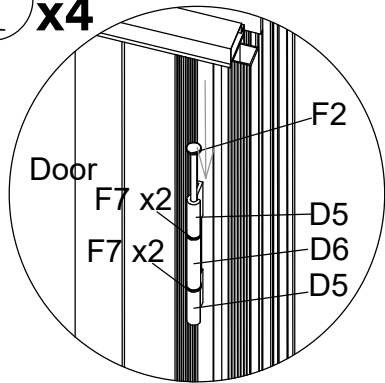
J2



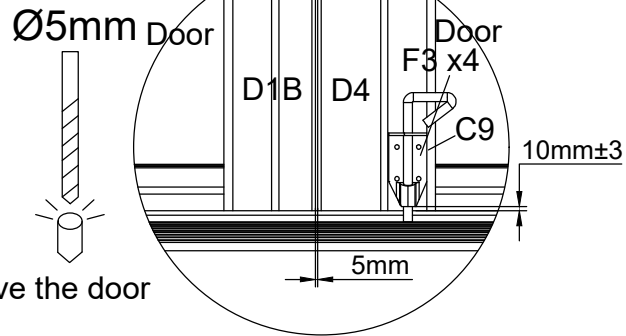
F6 x6



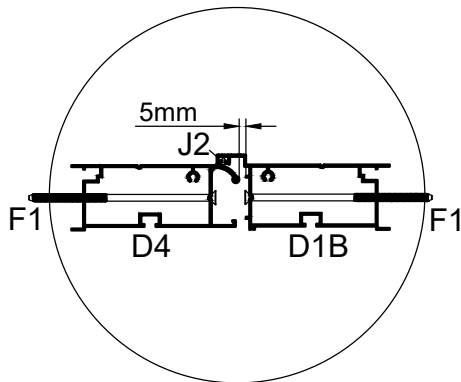
I x4



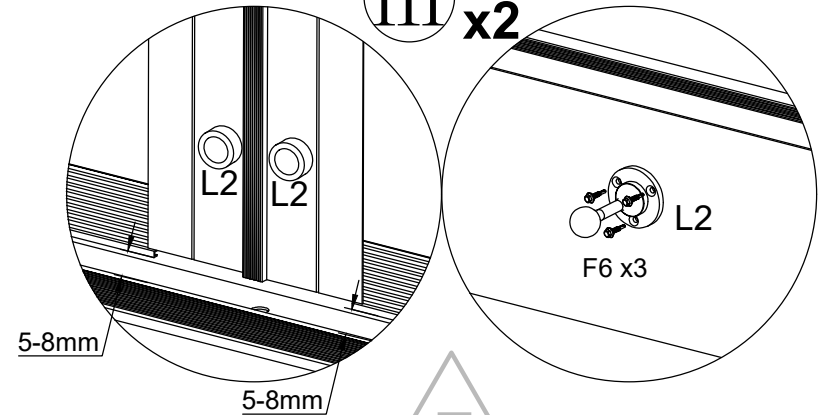
II



<5mm Tighten the screws F1
Install the screws C9 to remove the door

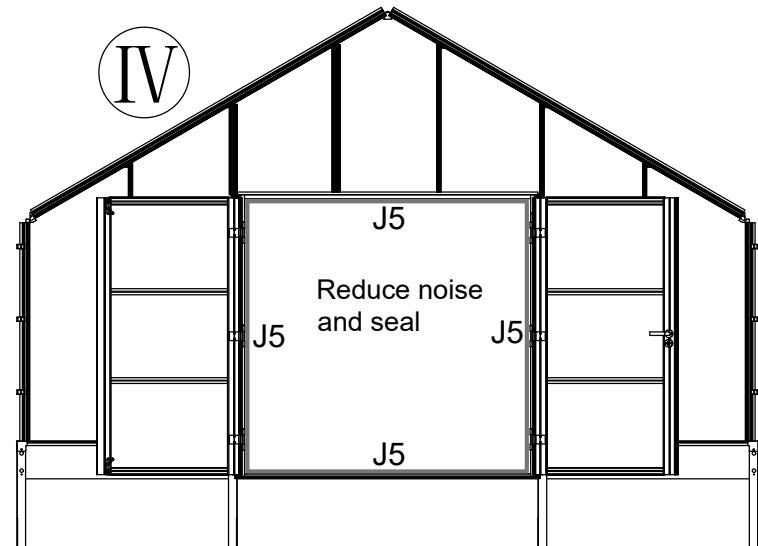


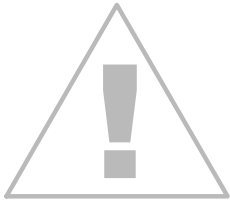
III x2



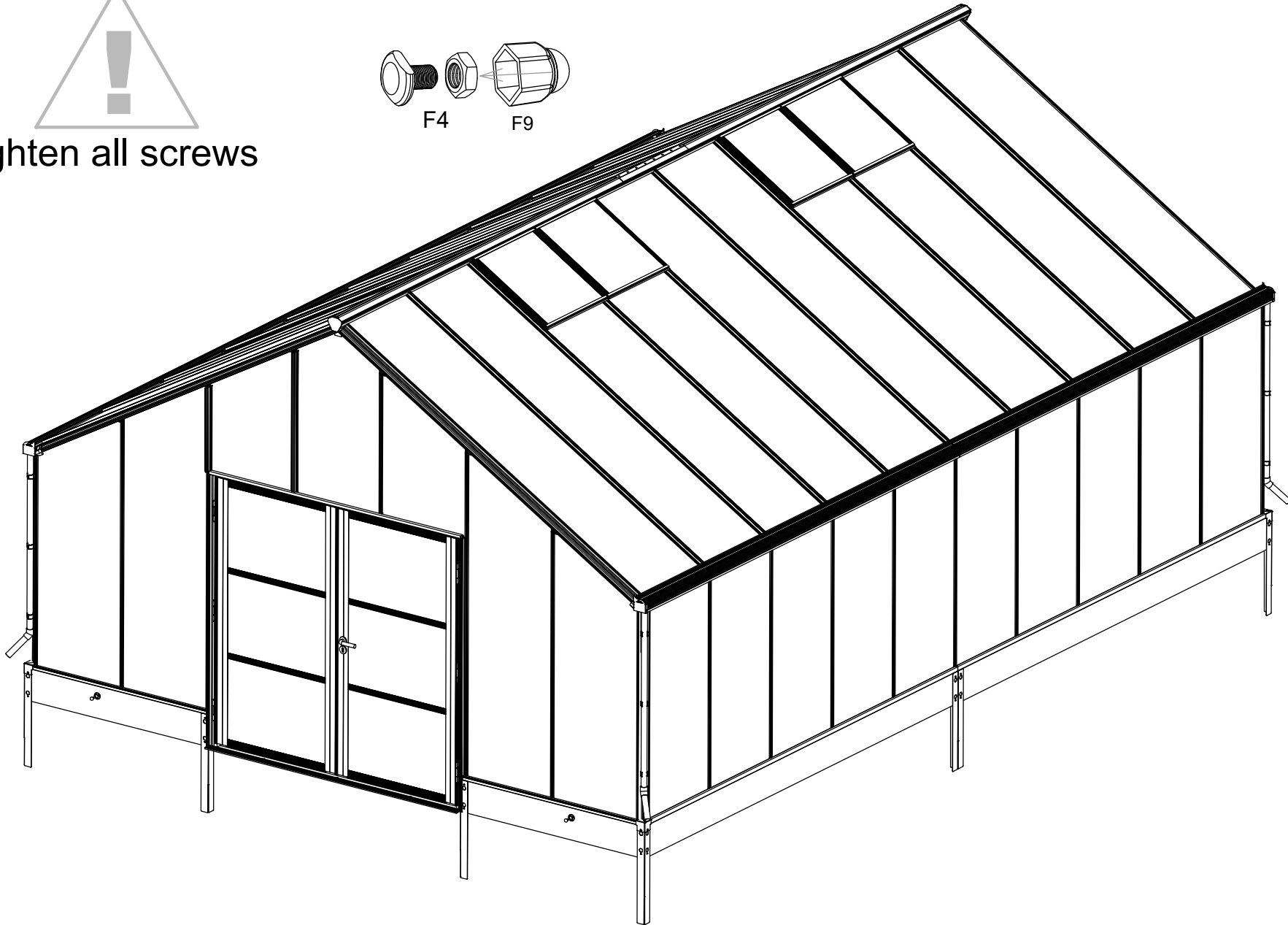
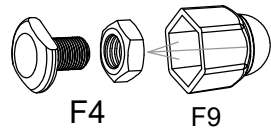
Determine the appropriate location before installing
the door touch L2.

IV





Tighten all screws



Maintenance:

In a timely manner the centralizer skeleton.

- 1.If the ground not level off, loose soil layer thickness is differ, wall shed may tilt to one end, once found, should be timely the centralizer, in case of deformation. The shed may be slant when facing the un-level ground or loose soil layer, please righting the shed urgently to avoid deformation

- 2.Prevent increased loading-weight artificially.

Don't let any lentils, towel gourd, pumpkin and climbing fruits and vegetables to grow up on the canopy, otherwise if it is windy and rainy, skeleton is unbearable, and easy to cause skeleton crack, broken, collapse Avoid kinds of vine plant climbing on the canopy, or it can not bearing for the wind and heavy rain, broken,collapse may accured.

The sunshine board maintenance:

- 1.In the using canopy, note do not use sharp objects collision films, avoid to cut films. Be careful not collide with a sharp object films,in order to avoid scratched films when using.
- 2.If films appear rupture, can use glue to repair or repair with transparent tape. Available polyurethane adhesive for repairing. Often keep the films clean, generally the PC sheet replacement using 6 ~ 10 years later, so as not to affect the light transmittance. Using transparent tape adhesive to patch cracks of film when any broken in case .Keep clean films,it will better replaced by new panels after 6-10years to avoid affect the Light transmittance
- 3.The flame retardant in polycarbonate material, but still need to stay away from fire, avoid softening deformation. As Polycarbonate is fire-retardant materials, please stay away from the fire ,to avoid softening deformation.

Frame maintenance:

- 1.The frame is aluminum alloy structure, if there is a white problem can wipe with a cloth in time, under high temperature and wet environment. All frames are made of alloy aluminum. White spots may appeared under wet-hot environment, just wipe it.
- 2.If there is any distortion calibration shall be carried out in a timely manner in order to avoid sunshine board out, If Polycarbonate out of frame, please removed screws. Carried out in accordance with the manual installation steps, and partial restoration.Any distortion calibration shall be carried out in a timely to avoid the sunshine board fall off. Repair work should be according to the IM.
- 3.If connection piece serious rust, should change in time the new screws and connectors to ensure connection parts are firm Please replaced the serious rust screws and connection for stable.

How to do in bad weather:

- 1.If there is lightning may not stay in the shed, because aluminum alloy skeleton is conductive and will be caused serious consequences Do not stay under shed when lightning.
- 2.Wind power reaches 70 km/h should be prepared ready to defense equipment, fixed wall shed. Fixed method with a strong rope or cable connect the cornice work four Angle of anchor block inserted into the soil or tied in a nearby tree stem > 10 cm in diameter. Pay attention to the weather turns good dismantled after the rope or cable to avoid injury and pedestrian. Please get defensive measures when facing heavy wind (abt 70km/H). Reinforce by steel rope and anchors which insert into ground or Strapping on a big tree
- 3.Clear in time at the top of the deciduous leaves led to the decrease of the canopy transparency, heat preservation effect is reduced To avoid greenhouses reduced transparency, heat preservation effect is reduced, please clean up the leaves at the top.
- 4.During snow, removal work in time, if not timely to snow removal, Use solid wooden plate supporting internal intermediate point and middle position of polycarbonate, prevent snow collapsing the wall shed. To prevent collapsing by snow, please remove the snow in time,Or support by a wooden stick support in the center of the sunshine board for reinforcement

